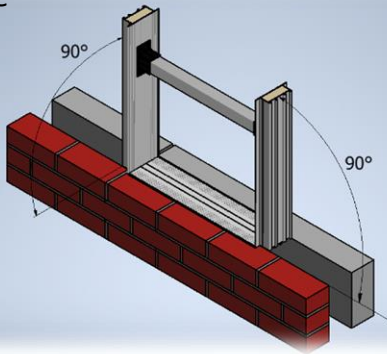
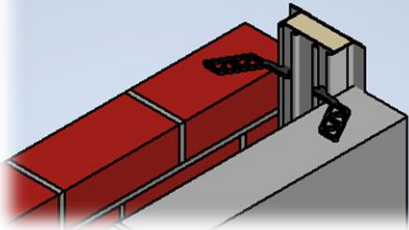


CAVALOK Cavity Closer Installation (Window formers only)

1. Check that the cavity closer is level and square



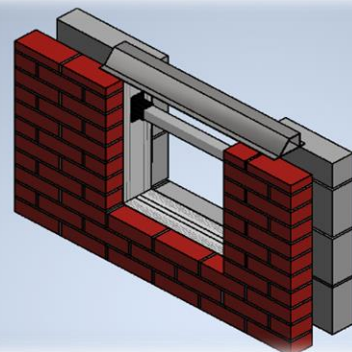
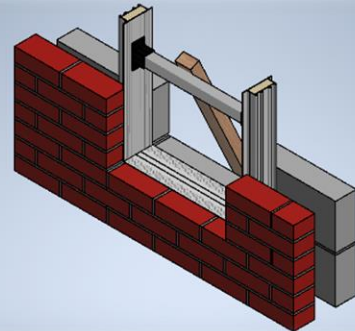
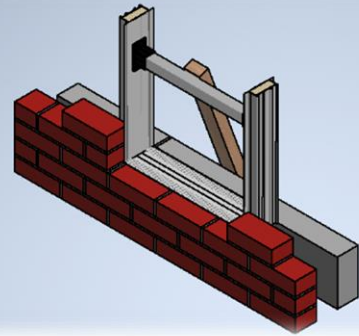
3. Insert brick ties into the cavity closer, rotate by 90 degrees and bed into mortar on both inner and outer courses.



4. Continue to build the coursework up and around the cavity closer in the normal manner, ensuring that the cavity closer remains plumb. As per the BBA certificate brick ties should be inserted every 6th brick course and every other block course. (A minimum of 3 per vertical)

5. Build the inner and outer courses up to the lintel height. The lintel should be set 5mm over the cavity closer. Locate the lintel in position and bed into mortar. Allow mortar to set before removing the props and brace.

2. Prop up the cavity closer vertically to ensure it remains plumb. Build up the coursework around the cavity closer by 3 brick and 1 block course.



Throughout the building operation, the closer frame must be periodically checked to ensure that it remains true and square. Any movement or twisting in the frame could result in poor window fit. We recommend the use of a tape and spirit level to ensure that the frame is correctly installed.