

PRODUCT UPDATE

MOULDED CORNER CONNECTOR TECHNICAL GUIDANCE (CAV75MOU-08)

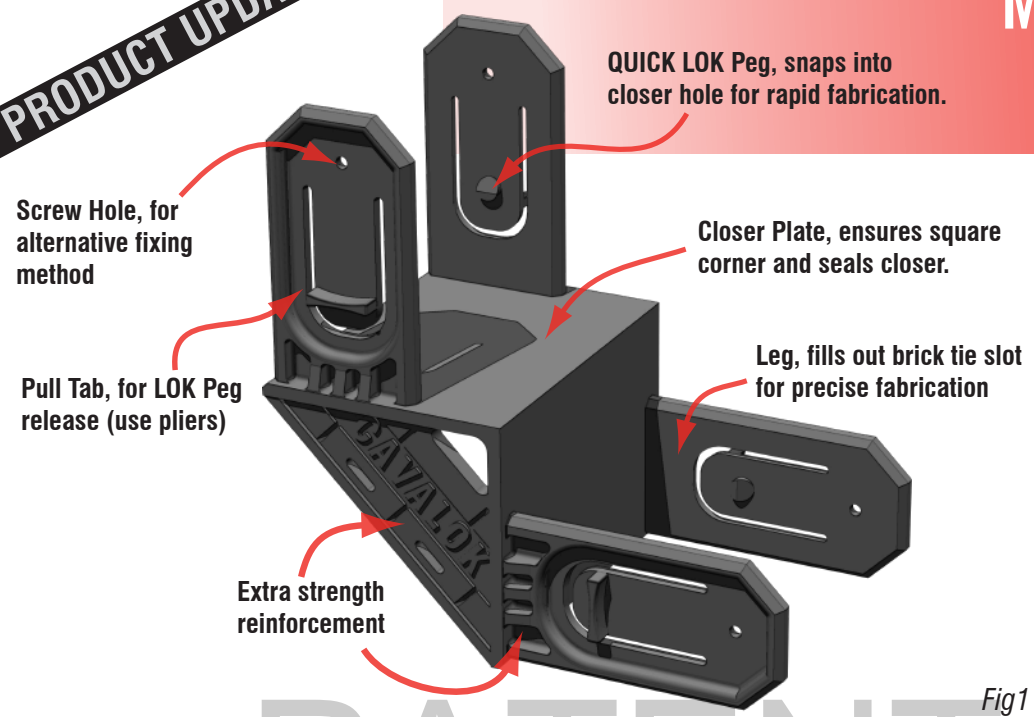


Fig1

STANDARD CORNER FIXING

- Cut closer lengths square to structural opening size.
- Slide Moulded Corner into first length of closer.
- Push tight and square
- Fix with screws (Fig2) or suitable adhesive.
- Slide second length of closer onto corner.
- Push tight and square.
- Fix with screws or suitable adhesive.

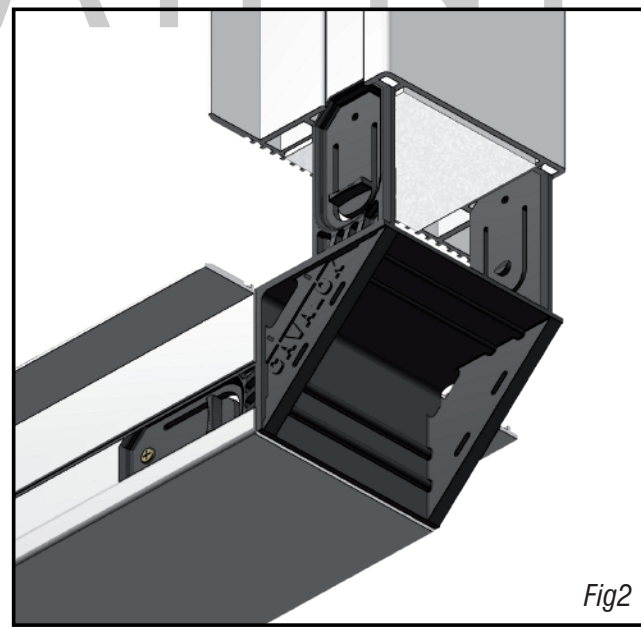
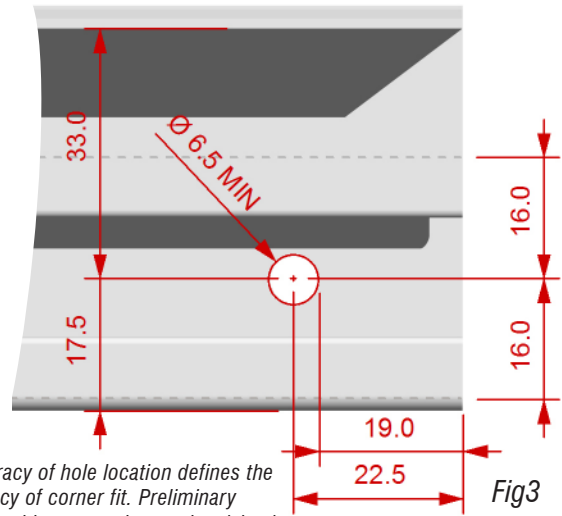


Fig2

NEW! QUICK LOK CORNER FIXING

- Cut closer lengths square to structural opening size.
- Drill holes fully through closer to dimensions shown in Fig3*
- (Using a pillar drill in combination with a sized jig, or other guide, will enable repeated drilling of accurately positioned holes)



*Accuracy of hole location defines the accuracy of corner fit. Preliminary testing with your equipment is advised.

Slide corner into first length, the LOK pegs will spring back until reaching seating holes.

The LOK pegs will snap into closer with a pronounced click.

Ensure both LOK pegs have seated correctly (Fig4)

Repeat with remaining length of closer to form corner.

(The order of connecting lengths of closer into closer to form a frame may vary upon your fabrication set-up)

In tests the QUICK LOK method saves over one minute of production time per frame, meaning higher productivity and lower costs.

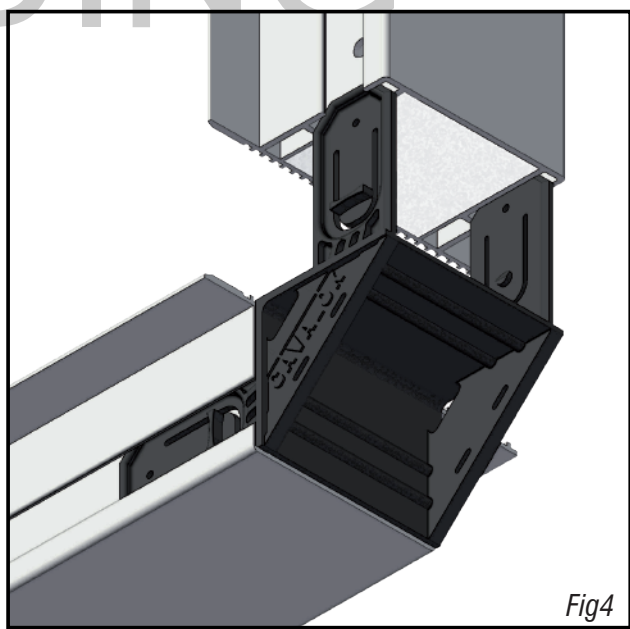


Fig4