

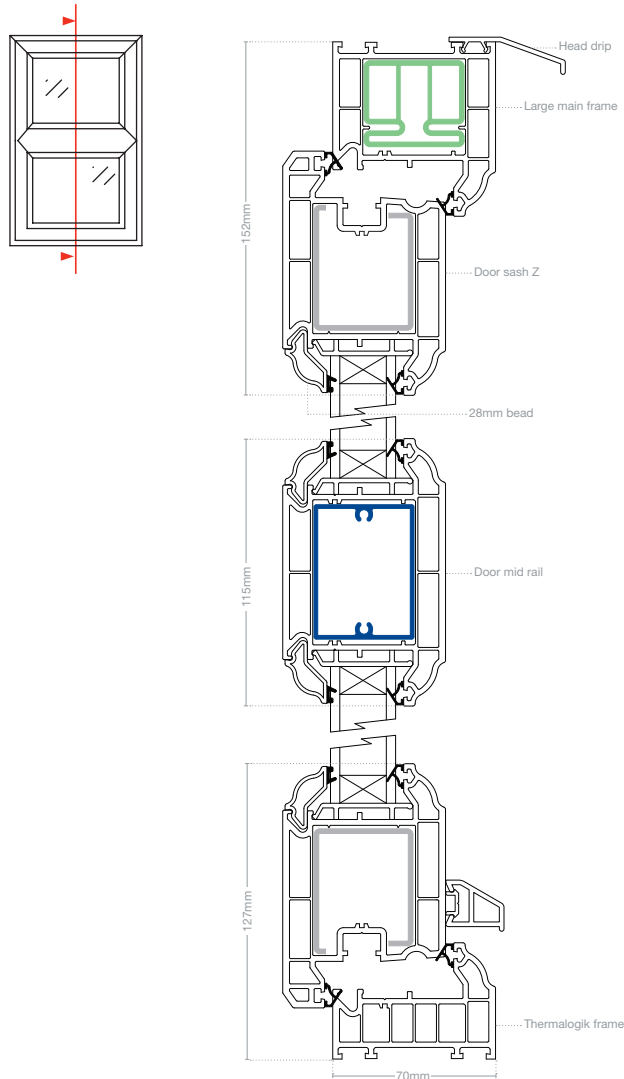
PRODUCT SPECIFICATION

RESIDENTIAL DOORS

Inward opening, internally glazed

eurocell

All together better



eurologik70 DOUBLE GLAZED SPECIFICATION

PROFILES

- Eurocell **eurologik70** 70mm system
- Large with slim outer frame threshold

REINFORCEMENTS

- PVC-U Thermal Inserts
- Steel and Aluminium

CILL OPTIONS

Standard: 85mm (130mm*), 150mm (195mm*) and 180mm (225mm*)

* When used with cill extender

ACCREDITATIONS

- Eurocell **eurologik70** profile system is BBA certified
- BS EN 12608, PAS 23 /24

STYLE

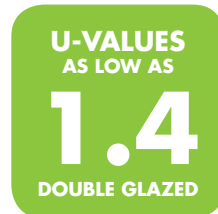


Ovolo



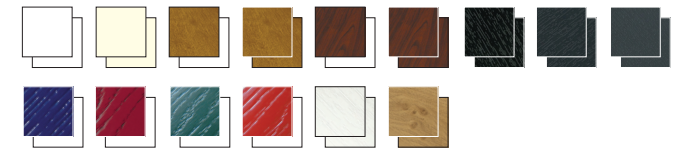
Chamfered

THERMAL PERFORMANCE



COLOUR OPTIONS

Standard colours



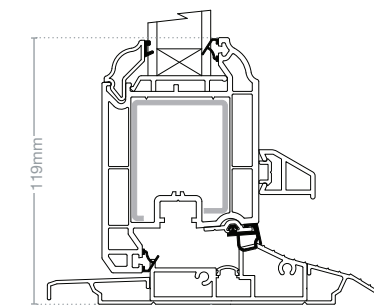
* White Ash and Irish Oak available in Ovolo styles only. Anthracite Grey and Slate Grey available in Chamfered only

MIN /MAX SIZES

If the doors are to be manufactured are outside these sizes, please consult Eurocell's technical department.

System	Width (mm)	Height (mm)
Residential doors (outer to outer)	Max: 1000 Min: 800	Max: 2300 Min: 1800

LOW THRESHOLD AVAILABLE



Low threshold assembly EWS 7545A and EWS 7546A

EUROCELL ACCREDITATIONS



BS EN ISO 9001:2008



Member



Partner