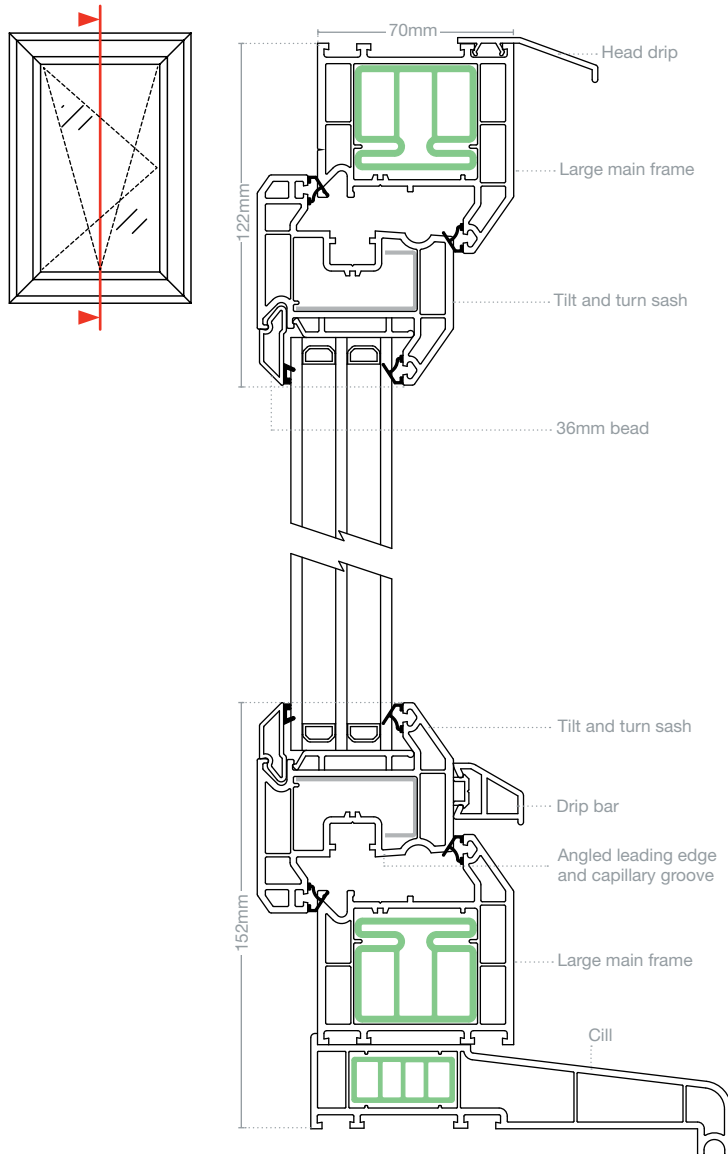


Product specification Eurologik tilt and turn windows



All together better



EUROLOGIK TILT & TURN TRIPLE GLAZED INWARD OPENING, INTERNALLY GLAZED

Profiles

- Eurocell **eurologik** 70mm system
- Large outer frame

Reinforcements

- PVC-U Thermal Inserts and steel

Cill options

Standard: 85mm (130mm*), 150mm (195mm*) and 180mm (225mm*)

* When used with cill extender

Accreditations

- Eurocell **eurologik** profile system is BBA certified
- BS EN 12608, BS 7412, BS 6375, BS 7950

Style



Ovolo



Chamfered

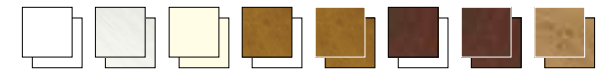
Thermal performance

System	Config	Glass 1 (external)	Glass 2 (triple)	Glass 3 (internal)	Gas fill	Spacer bar	Reinforcing	U Value
tilt & turn	4/12/4/12/4	Float	SG Planitherm Plus	SG Planitherm Plus	Argon	Swisspacer V	Standard steel	1.1
tilt & turn	4/12/4/12/4	Float	SG Planitherm One	SG Planitherm One	Krypton	Swisspacer V	Steel with PVC-U Thermal Inserts	0.9
tilt & turn	4/12/4/12/4	Float	SG Planitherm One	SG Planitherm One	Argon	Swisspacer V	Steel with PVC-U Thermal Inserts	1
tilt & turn	4/12/4/12/4	Float	SG Planitherm Plus	SG Planitherm Plus	Argon	Swisspacer V	Steel with PVC-U Thermal Inserts	1.2

Note: The above calculations should be used for guideline purposes only. Other options also available. To have **eurologik tilt and turn** performance simulated, please contact Eurocell's technical department.

Colour options

Standard colours



Non-standard options

Eurocell profiles are available in any colour from our made-to-order range. These are available on a three-week lead-time.

* White Ash and Irish Oak available in Ovolo styles only. Anthracite Grey and Slate Grey available in Chamfered only

Min / max sizes

If the windows are to be manufactured are outside these sizes, please consult Eurocell's technical department.

System	Width (mm)	Height (mm)
Eurologik tilt and turn windows	Max: 1500 Min: 550	Max: 1500 Min: 550