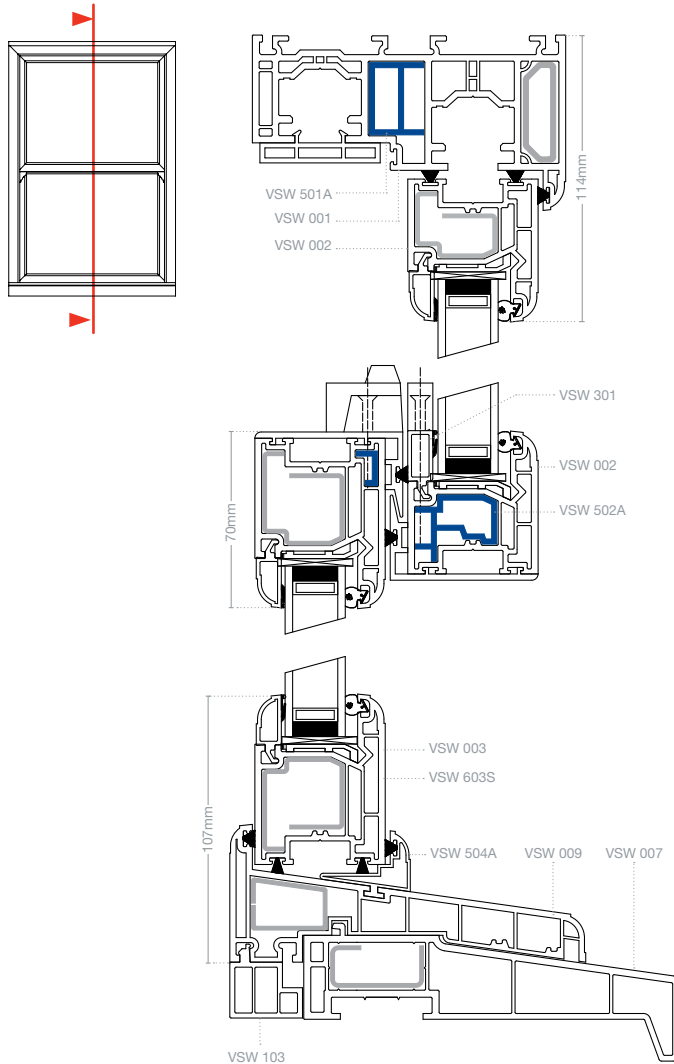


Product specification Vertical sliding sash windows



CHARISMA SPECIFICATION 2 DOUBLE GLAZED

Profiles

– Eurocell **charisma** profile system

Reinforcements

– Steel and aluminium

Cill options

Sizes: 180mm and 150mm (shown)
Ovolo cill adaptor available (shown)

Accreditations

– Eurocell **charisma** profile system is BBA certified (assessment report number 2571)
– BS EN 12608, BS 7412, BS 6375, BS 7950

Colour options

Standard colours



Non-standard options

Eurocell profiles are available in any colour from our made-to-order range. These are available on a three-week lead-time.

Thermal performance

| Config | Glass 1 (external) | Glass 2 (internal) | Gas | Spacer bar | Reinforcing | WER | Energy Index | U-value |
|--------|----------------------|--------------------------|-------|---------------------|-------------|----------|--------------|---------|
| 4/16/4 | Pilkington Optiwhite | Pilkington KS | Argon | Superspacer Premium | Steel / Ali | A | 1 | 1.5 |
| 4/16/4 | Pilkington Optiwhite | Pilkington KS | Argon | Swisspacer Ultimate | Steel / Ali | A | 0 | 1.4 |
| 4/16/4 | Float | Pilkington KS | Argon | Swisspacer Ultimate | Steel / Ali | B | -7 | 1.5 |
| 4/16/4 | Pilkington Optiwhite | Pilkington Optitherm S1+ | Argon | Superspacer Premium | Steel / Ali | C | -16 | 1.3 |
| 4/16/4 | Pilkington Optiwhite | Pilkington Optitherm S1+ | Argon | Swisspacer Ultimate | Steel / Ali | C | -18 | 1.3 |

The above calculations should be used for guideline purposes only. Other options also available. To have **charisma classic** performance simulated, contact the Eurocell technical department.

Decorative options

– Decorative horns
– Georgian bars

Min /max window sizes

If windows are to be manufactured are outside these sizes, please consult Eurocell's technical department.

| System | Width (mm) | Height (mm) |
|-------------------------------|------------------------|------------------------|
| Vertical sliding sash windows | Min: 400 Max: 1600* | Min: 640 Max: 2400* |
| | *1250 for PVC-U TI | *1500 for PVC-U TI |

Reinforcements are to be used:

Cill adaptor and sashes: All
Outer frames (vertical): 1400m+
Outer frames (horizontal): 1000m+
Woodgrain profiles: All