

StudioGlide®

INSTALLATION GUIDE

Issue 2



CONTENTS

1.	General installation instructions	2
2.	Recommended tool list	3
3.	Site survey	4
4.	Sub sill installation	6
5.	Fame assembly & installation	7
6.	Adjustable jam installation	10
7.	Door leaf installation	11
8.	Glazing instructions	15
9.	Operation checking & adjustment	16
10.	Finishing touches	20
11.	Operation	21
12.	Maintenance	22



BE SAFE WHEN WORKING AT HEIGHT

Ensure you conform to the latest Work at Height Regulations. For more details, visit:

www.hse.gov.uk/work-at-height

If in doubt at any stage

Please contact our Coastline Technical Support for additional support or advice.



0333 777 3047

1. GENERAL INSTALLATION INSTRUCTIONS

IMPORTANT

Read these assembly instructions before beginning any installation work. Install as recommended otherwise the door unit may not function properly and any warranty, written or implied, will be void.



QUALIFICATIONS

The assembly instructions are only for the attention of qualified installers who are trained and qualified in window and doors installation techniques, and are aware of the manufacturer's recommendations for the system used.

TRANSPORT AND STORAGE

Parts that could come loose during transportation can be damaged or cause accidents.

All packaging opened to allow the goods to be inspected must be closed and properly sealed for further transport.

Any goods that will be further transported must be loaded safely and securely.

INCOMING GOODS

All goods received must be inspected for any transport damage prior to being removed from the vehicle. The goods received must match the delivery note.

Any wet packaging may cause damage to the goods, and therefore must be removed immediately.

SITE SURVEY

It is important to check the conditions on site before starting the assembly.

Check for any apparent defects and deficiencies around the structural opening. If any defects are found, then the customer must be notified, and agreement reached as to who is responsible for rectifying these defects prior to the new window/door installation.

Check structural conditions such as the wall construction, the load capacity or adhesiveness of the edges for adhesive sealing systems, evenness, building moisture, a possibility for load transfer and mounting, constructional tolerances and height reference points.

Check for contractual agreements, supplied assembly detail, planning guidelines, heat protection, humidity proofing, and interferences to other assembly sections.

The fixing materials are not part of the scope of supply. The installer must decide on which fixing materials to use after assessing the given substructure. If any supplied fixing materials are used, Eurocell plc do not accept liability for the correct assembly. The installer must ensure that the fixing materials are suitable for the respective substructure and that assembly is completed correctly.

HANDOVER

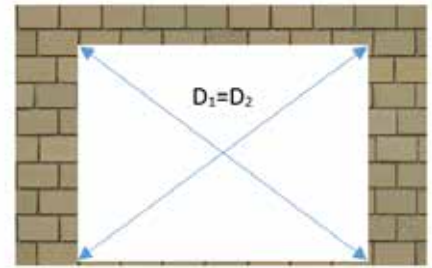
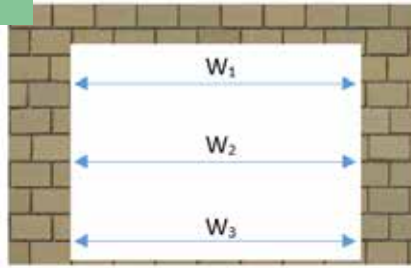
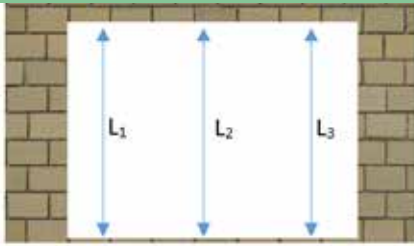
All operating, assembly and adjustment instructions as well as maintenance and care guidelines must be delivered to the user when briefing them. It is essential to train the user on the function of the supplied product and provide instruction on the directions for safety and use. Incorrect operation or failure to observe the instructions may lead to damage and accidents. The customer must store the instructions carefully and hand them over to the new owner in the event of sale.

2. RECOMMENDED TOOLS

- ▶ Appropriate fixings into structural opening
- ▶ Mixed selection of frame packers
- ▶ Mixed selection of glazing packers
- ▶ Rubber mallet or plastic mallet
- ▶ Set of HSS drill bits
- ▶ Drill / SDS hammer drill
- ▶ Saw for cutting aluminium sill
- ▶ Long spirit level
- ▶ String line
- ▶ Tape measure
- ▶ No.2 Pozi drive
- ▶ 2.5mm; 3mm; 4mm Allen keys
- ▶ Level or laser level
- ▶ Gloves
- ▶ Vacuum cups
- ▶ Caulk gun and Silversil low modulus neutral silicone
- ▶ One or two part polyurethane assemble adhesive
- ▶ A high quality, neutral, elastic one component joint sealant
- ▶ Paper towels
- ▶ Utility knife
- ▶ Silicone and gun
- ▶ Set square
- ▶ Tressels x4

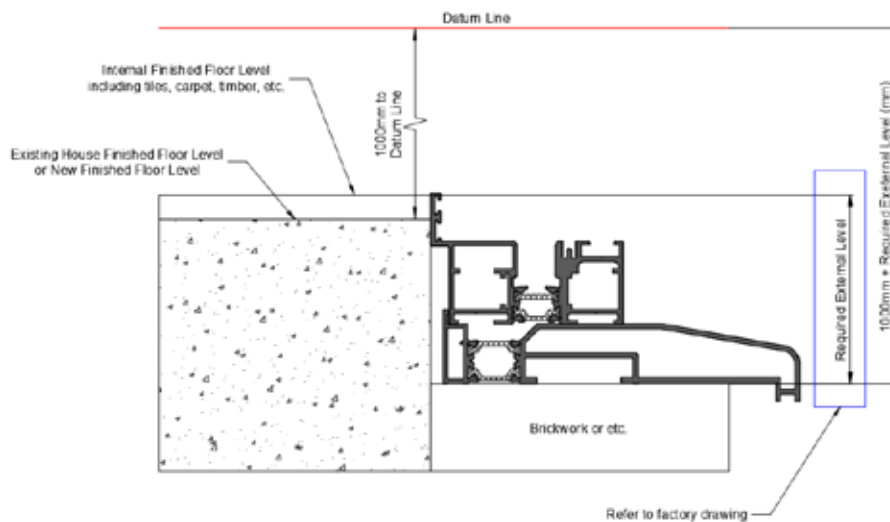
3. SITE SURVEY

OPENING INSPECTION



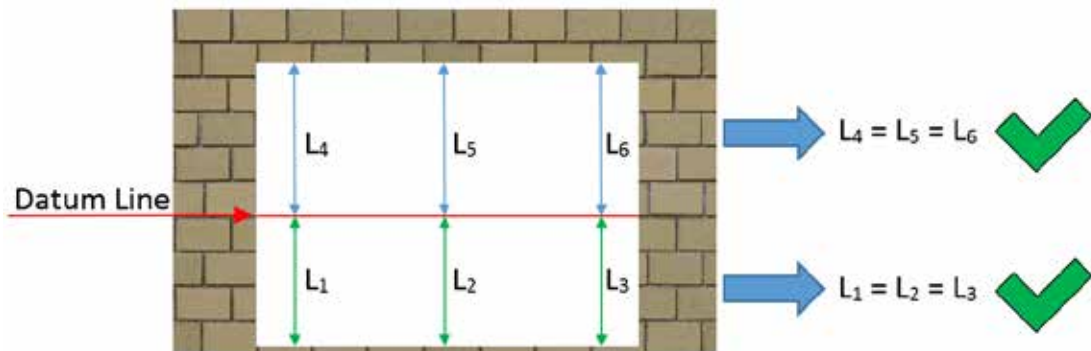
- The aperture for the new doors must be flat, level, straight, plumb and square at every single side. There should be a solid structure to fix the frame.
- The aperture load bearings must not be transferred to any part of the frame when fitted.
- Prepare the aperture by making sure it is clean.
- Remove any old silicone and brush down the threshold.
- The internal and external reveal sizes should be checked and any variations must be determined to ensure enough opening light for the area where doors will fold and will not be obstructed by plaster, tiles or etc.
- Check the aperture's height, width and diagonals to ensure the opening is equal on all sides and square.
- Generally three measurements should be taken.
NOTE: The smallest measurement of width and height used to determine manufacturing sizes. See Also Section "Aperture height using laser level."
- Use tape measure to verify the aperture overall height and width. At least three measurements must be taken.
- Smallest height and width measurement will determine the overall frame manufacturing size.
- By measuring the diagonals verify the aperture is square.

INTERNAL FINISHED FLOOR LEVEL AND DATUM LINE POSITION



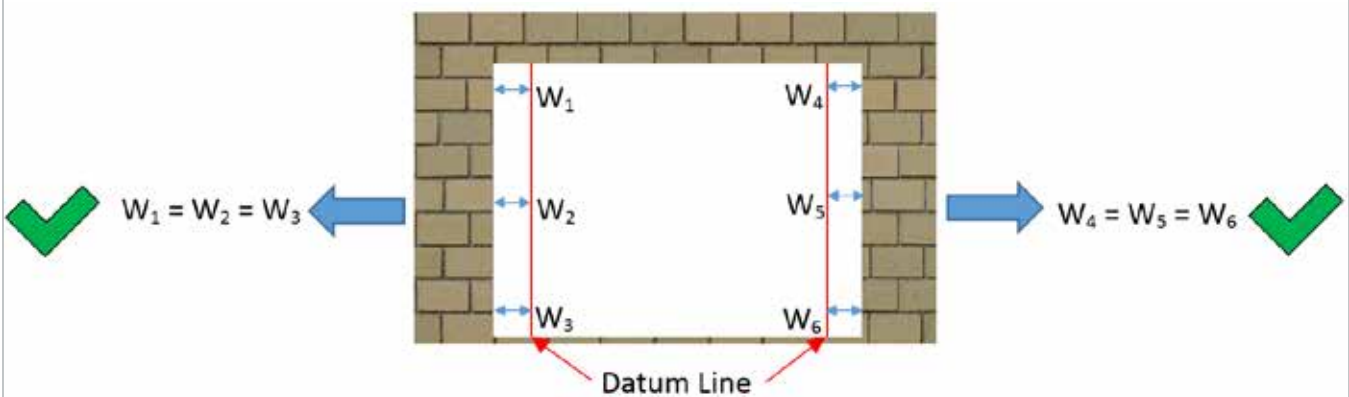
- Select a point within the agreed/existing structure finished floor level from where the builder can after determine the internal floor level i.e. tiles, carpet, timber.
- Using laser measure set a datum line at 1000mm from the existing finished floor level.
- Take into account the agreed internal floor finish i.e. tiles, carpet, timber.
- Mark the datum line on each jamb of the aperture.
- Refer to the factory drawing and specify which threshold profile or sub-sill is required.
- Check if the existing threshold needs to be lowered taking into account if the internal edge of the aluminium threshold sits flush, or is set at a certain height with the new internal finished floor level.

APERTURE HEIGHT INSPECTION USING DATUM LINE



- From the laser datum line measure the distance to the threshold at left, centre and right positions where new bi-fold door will sit on.
- Each of the bottom measurements should be uniform. If not then the threshold is not level and structure should be leveled.
- Form the original datum line position (set at 1000mm) measure the distance to the top underside of the aperture at left, centre and right positions.
- Each of the top measurements should be uniform. If not then aperture at the top is not level and the adjustment to the manufacturing height of the frame must be made.

JAMB INSPECTION & MANUFACTURING SIZES



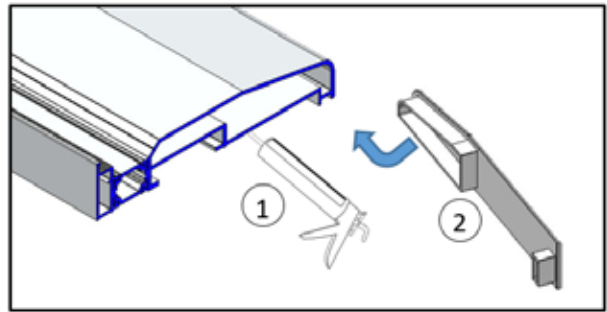
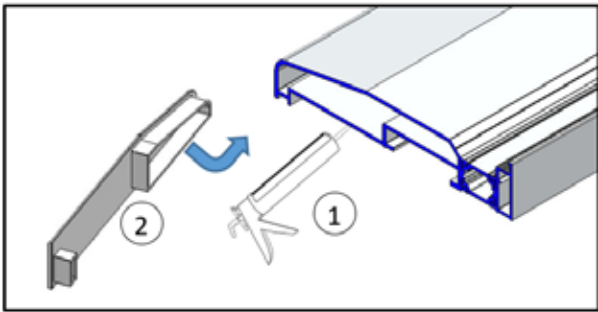
- Set a vertical laser datum line position at 250mm from the jamb.
- Take measurements from top, middle and bottom of the laser line to the face of the jamb.
- Each horizontal measurements should be equal. If not, then the jamb is not plumb and adjustment to the manufacturing frame width must be made.

- Allow the aperture to be 10-15 mm wider and 10-15 mm higher than the overall frame size of the ordered unit. It is important that the opening size for new frame is correct.

NOTE: Overall height of new unit is measured from the bottom of the sill and not from the finished floor.

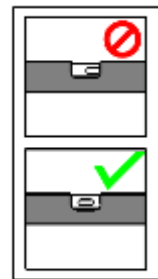
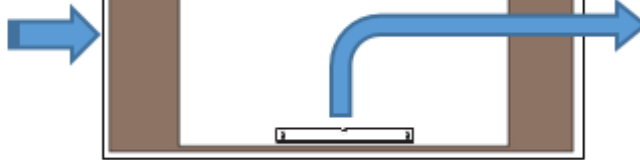
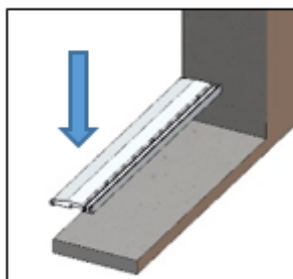
4. SUB SILL INSTALLATION

- The need for any sub-sill should be determined at the beginning of the project.
- The size of the sub-sill should be as such that there is an overhang of at least 25 mm from the face of the building.
- The installer should determine how the sub-sill should be fitted, taking into account features such as horns.



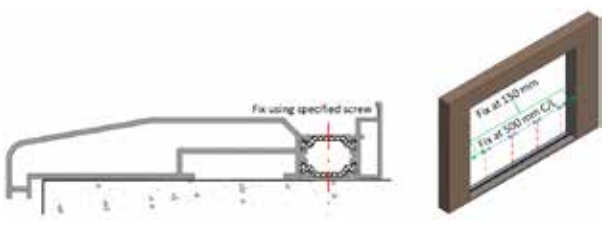
NOTE: Check the sill for drainage slots, make sure they are clean and not blocked by any debris, clean if necessary.

- Using Silversil low modulus neutral silicone seal the ends of the sill section.
- Install the end caps (ref SAS 5203) as shown above.

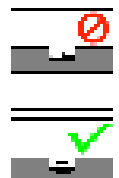
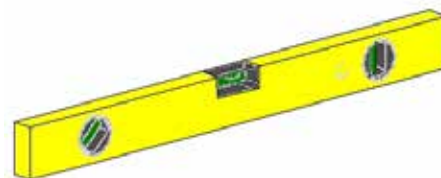


- Place the sub-sill on to the aperture.
- Use a spirit/laser level or a string line to assess the level of the sub-sill.

- Temporarily place the required packers under the sill, check the level and adjust if necessary.



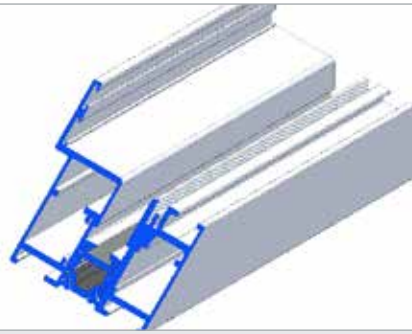
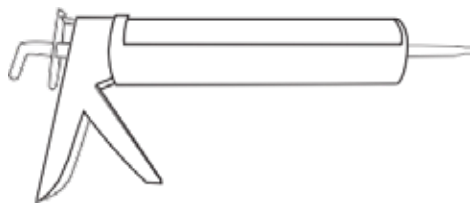
- Use specified fixings to fix the sill through the thermal break at minimum 150mm from each end, and spacing every 500mm centres.
- Fill each fixing hole with Silversil low modulus neutral silicone before inserting the fixing.



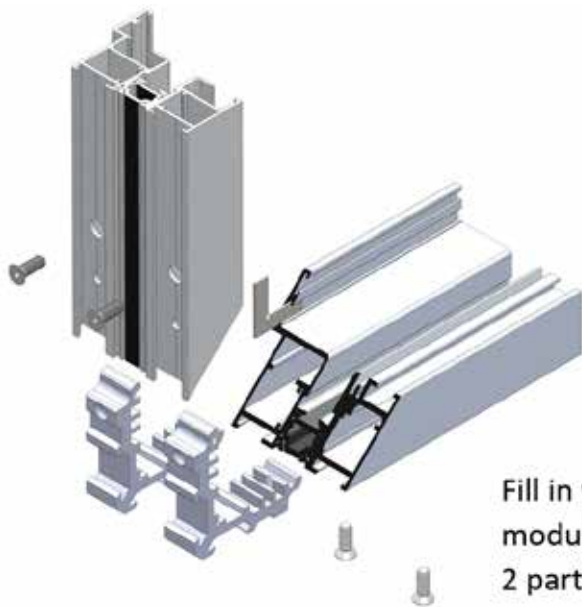
- Double check for level and adjust if necessary.

5. FRAME ASSEMBLY AND INSTALLATION

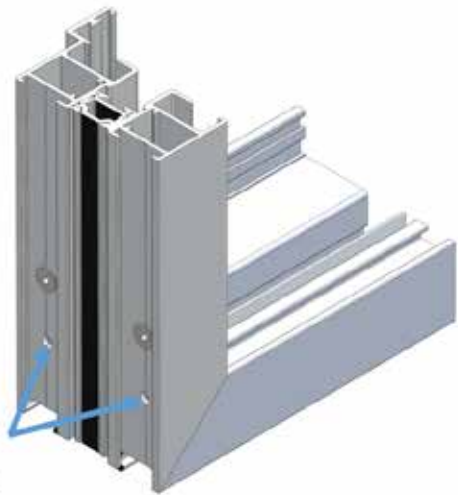
OUTER FRAME ASSEMBLY



- Apply polyurethane assembly adhesive at all outer frame connection joints and between the frame components.



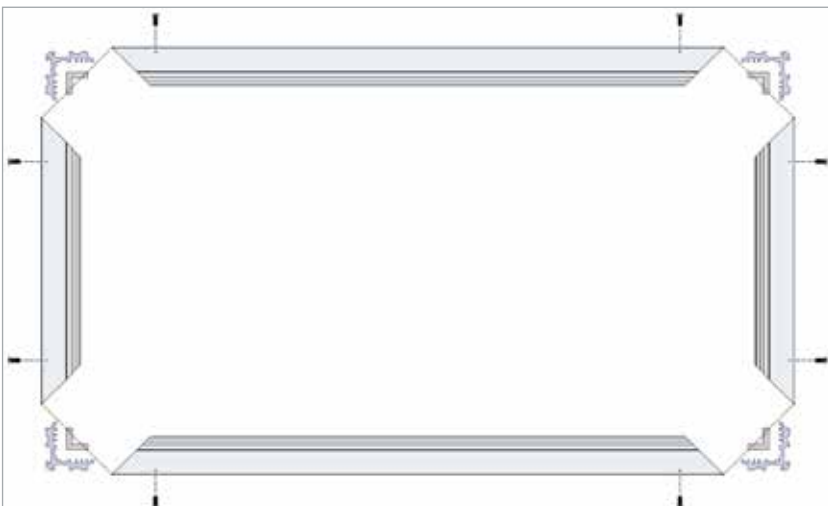
Fill in with low modulus silicone or 2 part adhesive glue



- Connect the outer frame corners using outer cleats and M6x16 machine screws as shown above. Align the frame by adjusting the screws, if necessary.

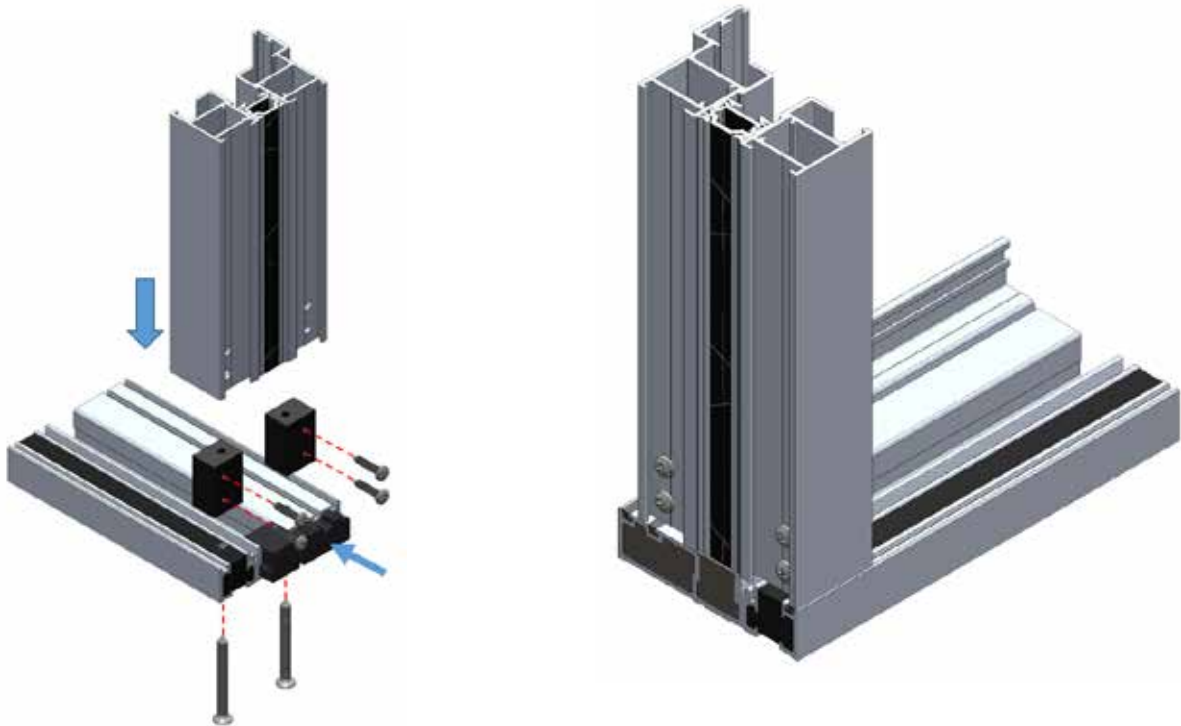
Any excess product should be wiped off at this stage.

TOOL REQUIREMENT: 4mm Allen key is required.



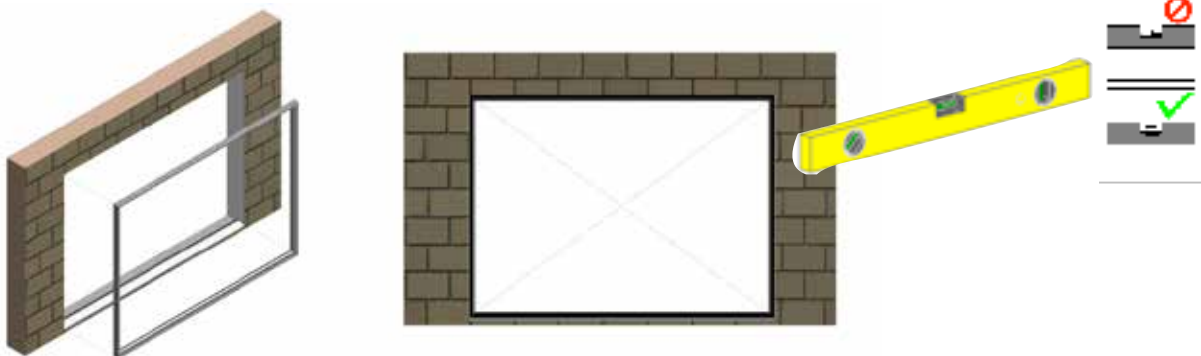
- Apply polyurethane assembly adhesive at all outer frame connection joints and between the frame components.

LOW THRESHOLD ASSEMBLY



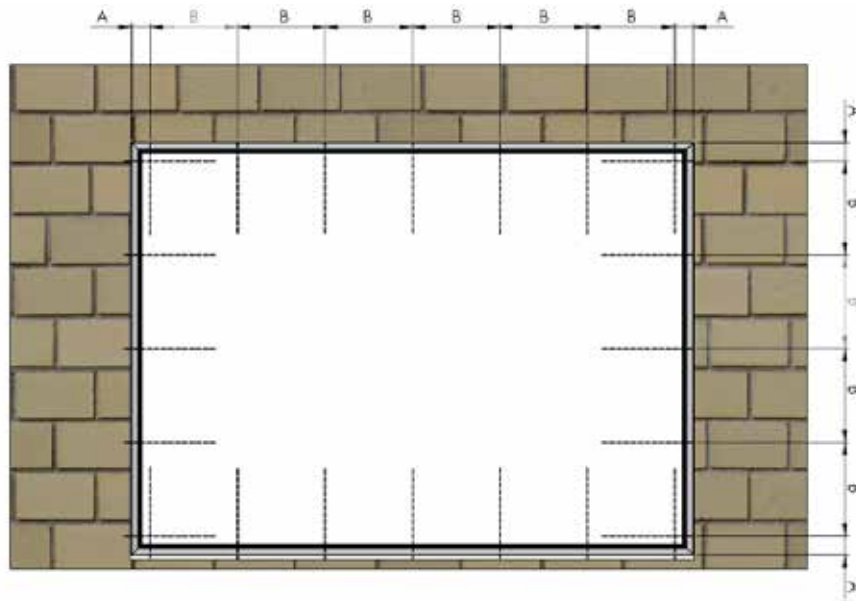
- Apply polyurethane assembly adhesive to all frame connection joints and between the frame components.
- Use low threshold fixing kit (ref. SAS 5887) to join the corner as shown above.
- Align the frame by adjusting the screws, if necessary.
- Any excess adhesive should be wiped off at this stage.
- Ensure no water can escape from the low threshold past the jambs.

OUTER FRAME INSTALLATION

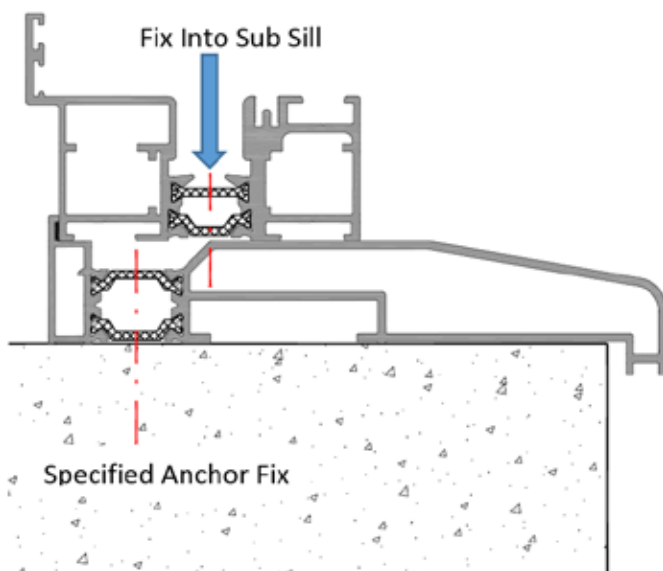


- Insert the frame into prepared structural opening and pack as necessary to ensure that the frame is held plumb and square inside the opening.

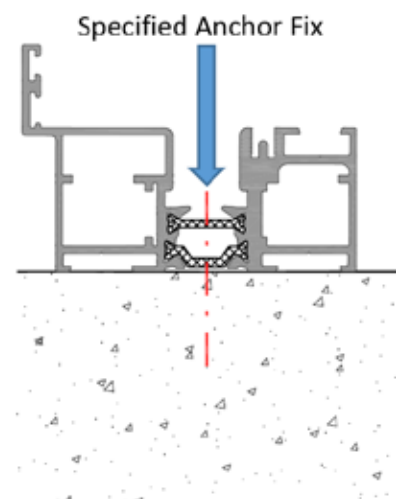
NOTE: If sub-sill installed. Run a silicone bead of Silversil LMN along the sub-sill rebate to ensure weather tight joint.



- Pack out all fixing points to ensure tight and supported fixings. Secure frame using suitable fixing screws and plugs.
 A = Anchor distance from corner of frame approximately 150mm.
 B = Anchor spacing generally at maximum 500 mm.
- Ensure the top and bottom frame remain plumb and square over the complete length.



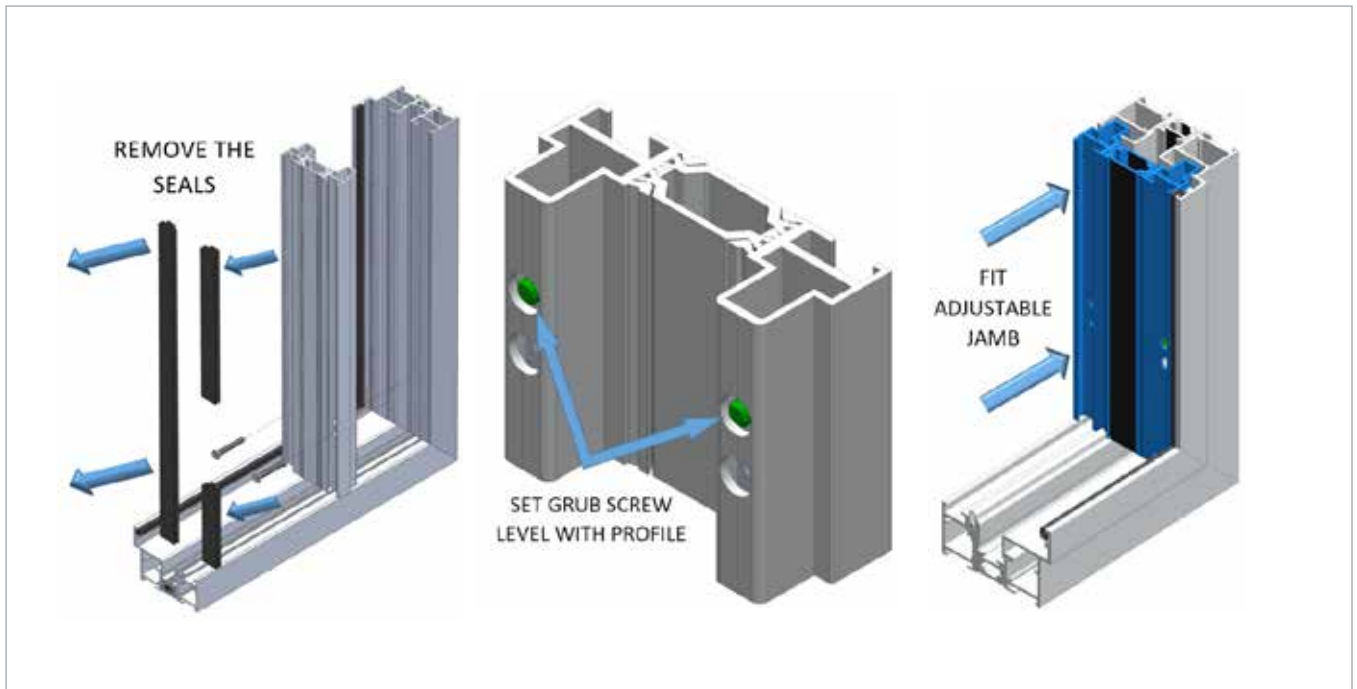
Typical outer frame installation with sub-sill



Typical outer frame installation

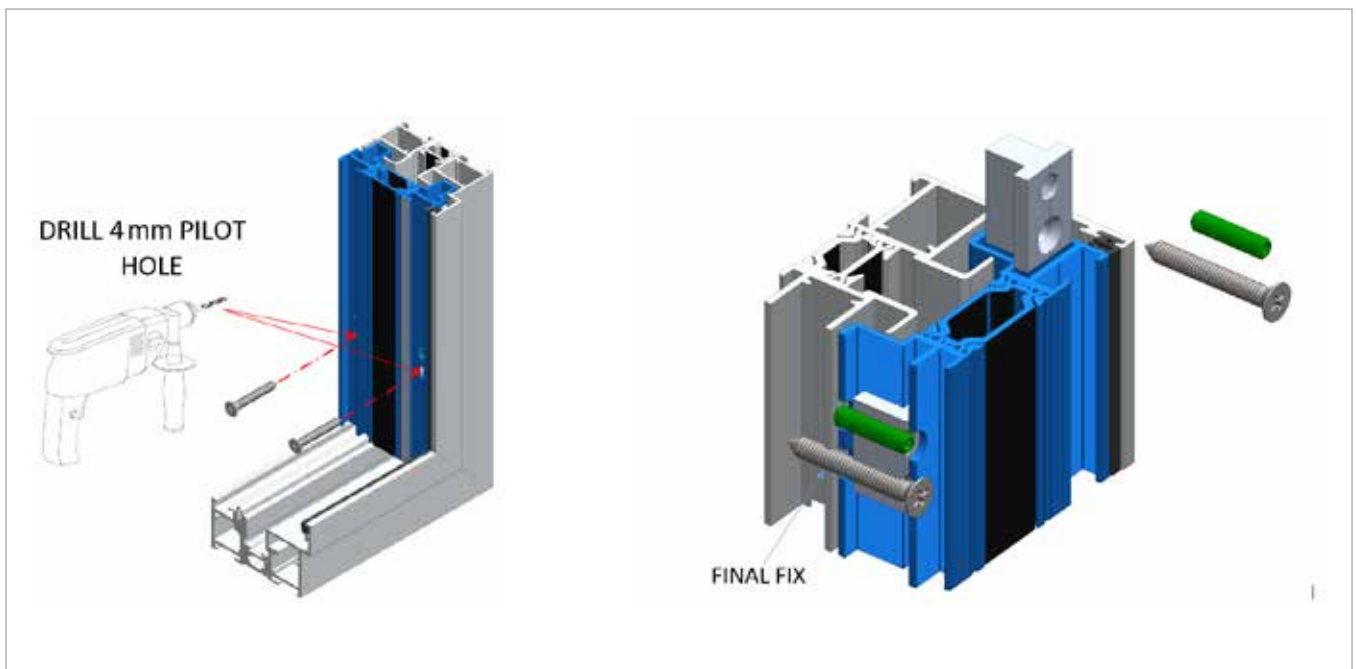
- Check the level and make sure that the frame is set plumb and square.
- Using Silversil low modulus neutral silicone ensure that the perimeter is sealed against water penetration at both inside and outside of the opening.
- Clean away all debris from bottom rail, especially guide channel.

6. ADJUSTABLE JAMB INSTALLATION



- Remove any weather seals or rebate profiles attached to adjustable jamb.
- Set all grub screws flush with back wall of the adjustable jamb.

- Fit the adjustable jamb profile into outer frame up to the end.



- Use factory pre-drilled holes at adjustable jamb profile and drill $\varnothing 4.0\text{mm}$ pilot holes in the outer frame for self-tapping fixing screws.

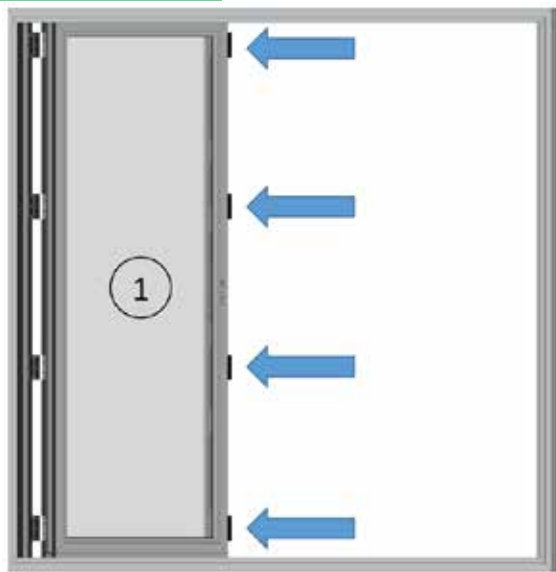
- Fix the adjustable jamb in place using $\varnothing 4.8 \times 48\text{mm}$ self-tapping screw.

7. DOOR LEAF INSTALLATION

RECOMMENDATIONS

- Before installing any door panels check for all the components. Make sure there is no missing components.
- Look for the panel glass beads to determine the interior side.
- Look for the panel drainage holes to determine the bottom side.
- All panels are numbered and must be installed with accordance to the factory drawing.

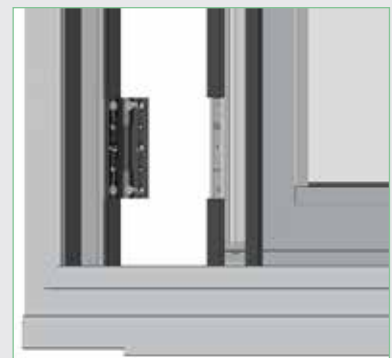
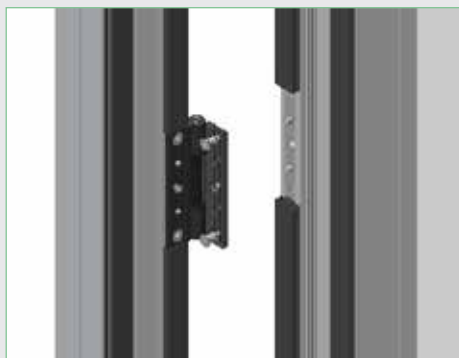
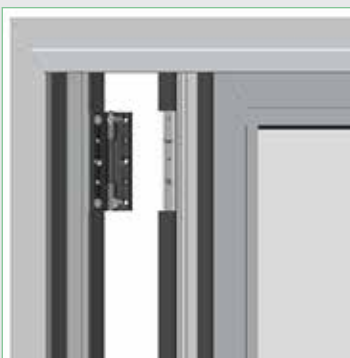
PANEL NO.1 INSTALLATION



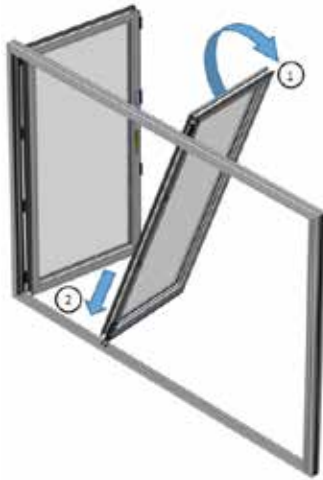
- Align the side of panel No.1 that has clamping plates on with hinges attached to outer frame adjustable jamb.
- Locate the hinge leaf over the clamping plate and secure with M5x10mm machine screws using top and bottom countersunk hinge holes.

TOOL REQUIREMENT: 3mm Allen key is required.

NOTE: Do not use 4.2 x 25mm self drilling screws at this point.

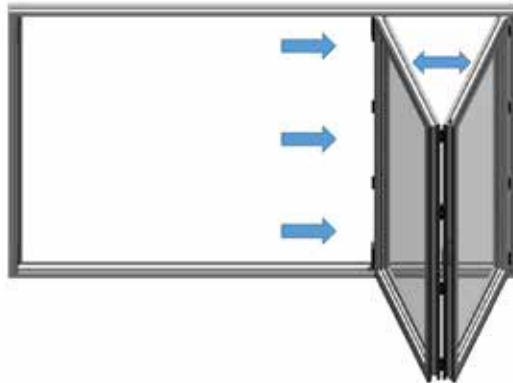


PANEL NO.2 INSTALLATION



- Slightly lean panel No.2 and fit the bottom roller guides into middle channel of the bottom track.

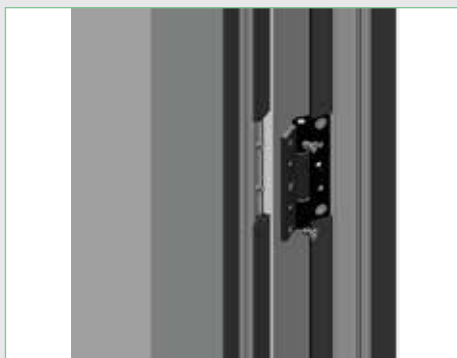
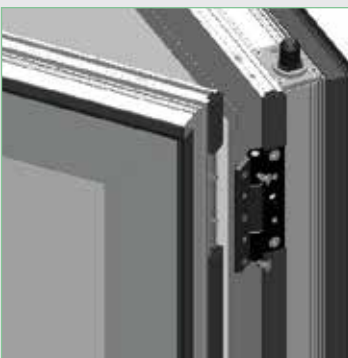
- Align the top guides of panel No.2 and fit them into middle channel at the top.



- Slide panel No.2 to align clamping plates with hinges attached to the first panel.
- Keep both doors on an angle for better access to hinges.
- Locate the hinge leaf over the fixing plate and secure with M5x10mm machine screws at top and bottom holes.

TOOL REQUIREMENT: 3mm Allen key is required.

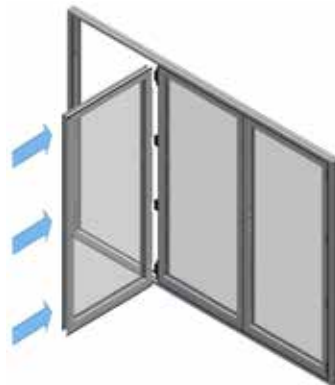
NOTE: Do not use 4.2 x 25mm self drilling screws at this point.



PANEL NO.3 INSTALLATION



- Lock first two panel doors together before installing door No.3.
- Align panel No.3 clamping plates with hinges attached to second panel.



- Locate the hinge leaf over the fixing plate and secure with M5 x 10mm machine screws at top and bottom position.

TOOL REQUIREMENT: 3mm Allen key is required.

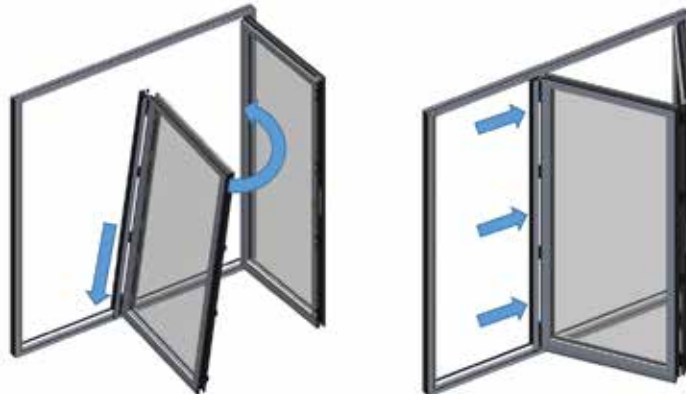
NOTE: Do not use 4.2x25mm self drilling screws at this point.



SLIDING POST INSTALLATION



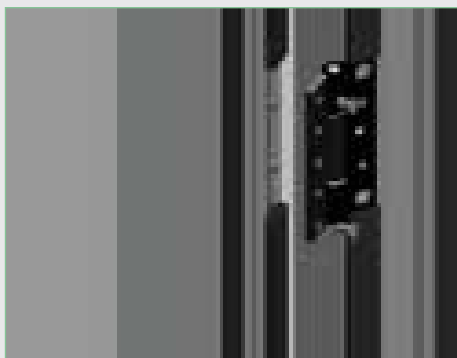
- Open the sliding post attached to the door panel as shown below.
- Slightly lean the panel with sliding post and fit the bottom roller guides into middle channel of the bottom track.
- Align the top guides of panel with sliding post and fit them into middle channel at the top.



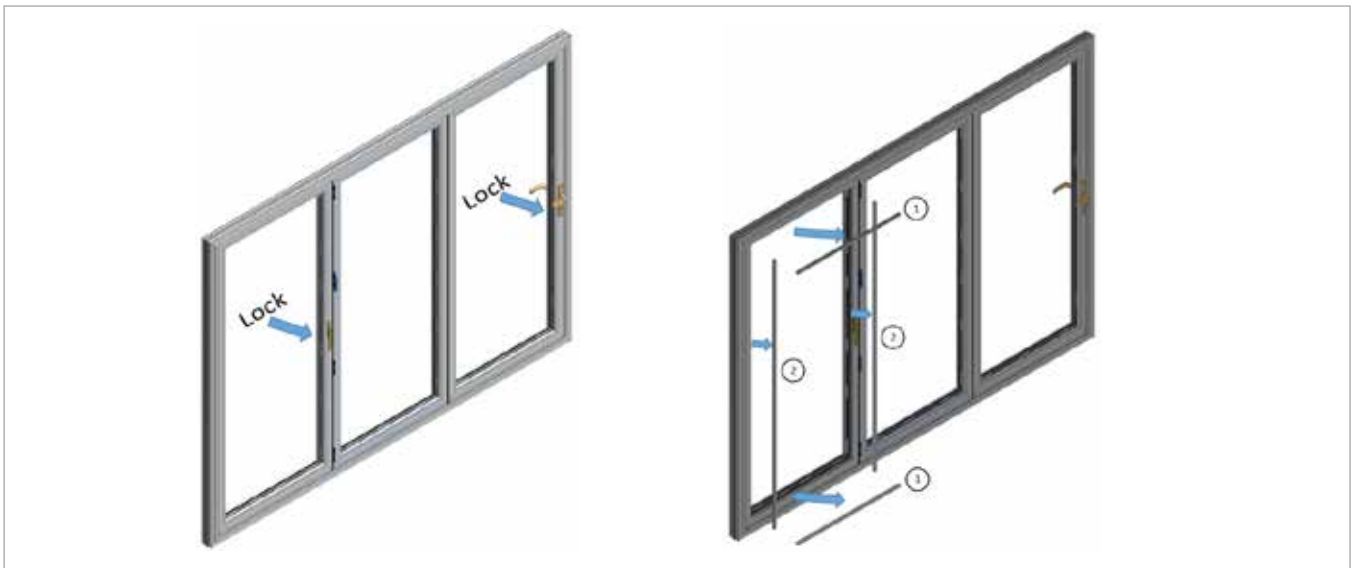
- Slide the panel to align clamping plates with hinges attached to the first panel.
- Keep both doors on an angle for better access to hinges.
- Locate the hinge leaf over the fixing plate and secure with M5x10mm machine screws at top and bottom holes.

TOOL REQUIREMENT: 3mm Allen key is required.

NOTE: Do not use 4.2x25mm self drilling screws at this point.



8. GLAZING INSTRUCTIONS

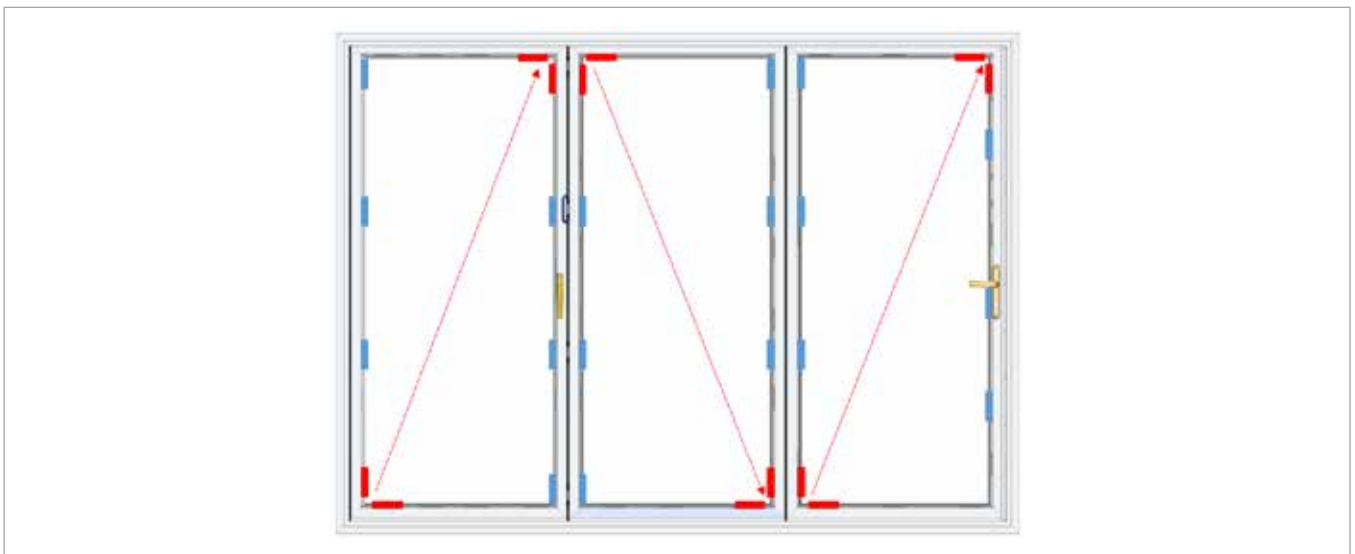


NOTE: All glazing should conform in the requirements of BS 6262. In addition any instructions given by glass manufacturers should be followed.

- Before glazing, lock all doors panels and fully engage the locks.
- Starting from the first panel hinged to the jamb remove all beads, taking care to note where the beads are removed.
- Install the glass into the frame and pack it appropriately using various thickness glass setting blocks. Ensure to support

inner and outer layers of the glass.

- All panels should be 'toe and heeled' to maintain equal and parallel gaps between outer frame and panel at the top and bottom.
- Add neutral elastic one component joint sealant between each vertical set of packers to help keep them in place. Make sure that all packers do not obstruct any of the drainage or decompression holes.



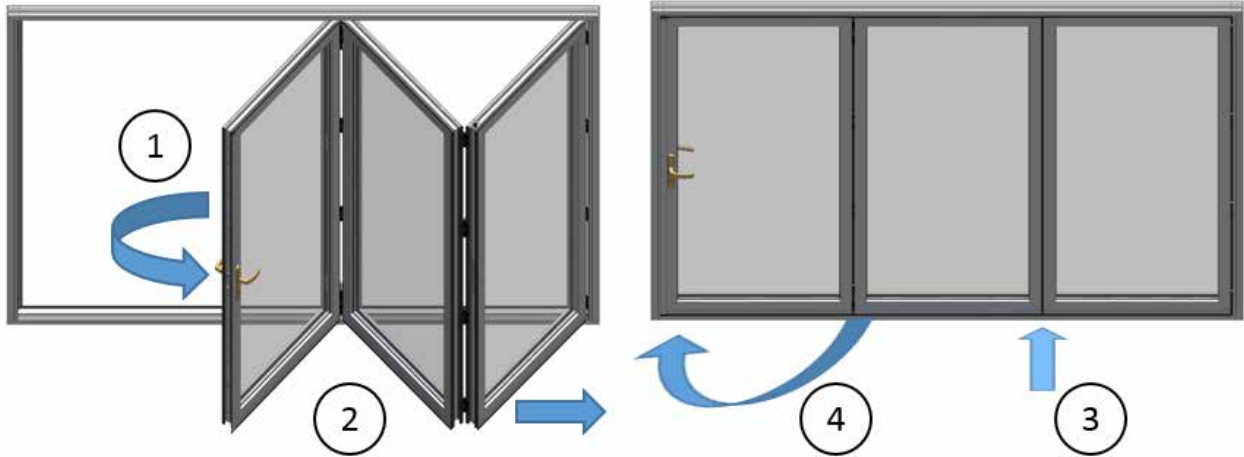
Red 'Toe and Heel'. Load bearing packer must be used to keep panels square and level.

Blue Supporting packers to prevent movement and provide rigidity to panel. Should be installed between all hardware components.

- Replace beading, starting with shortest pieces first and tapping into place with a plastic mallet.
- Replace wedge gaskets into position.
- Repeat the 'toe and heeling' process for all panels, ensuring that all door gaps are equal and parallel.
- Check for door running operation and adjust if necessary.

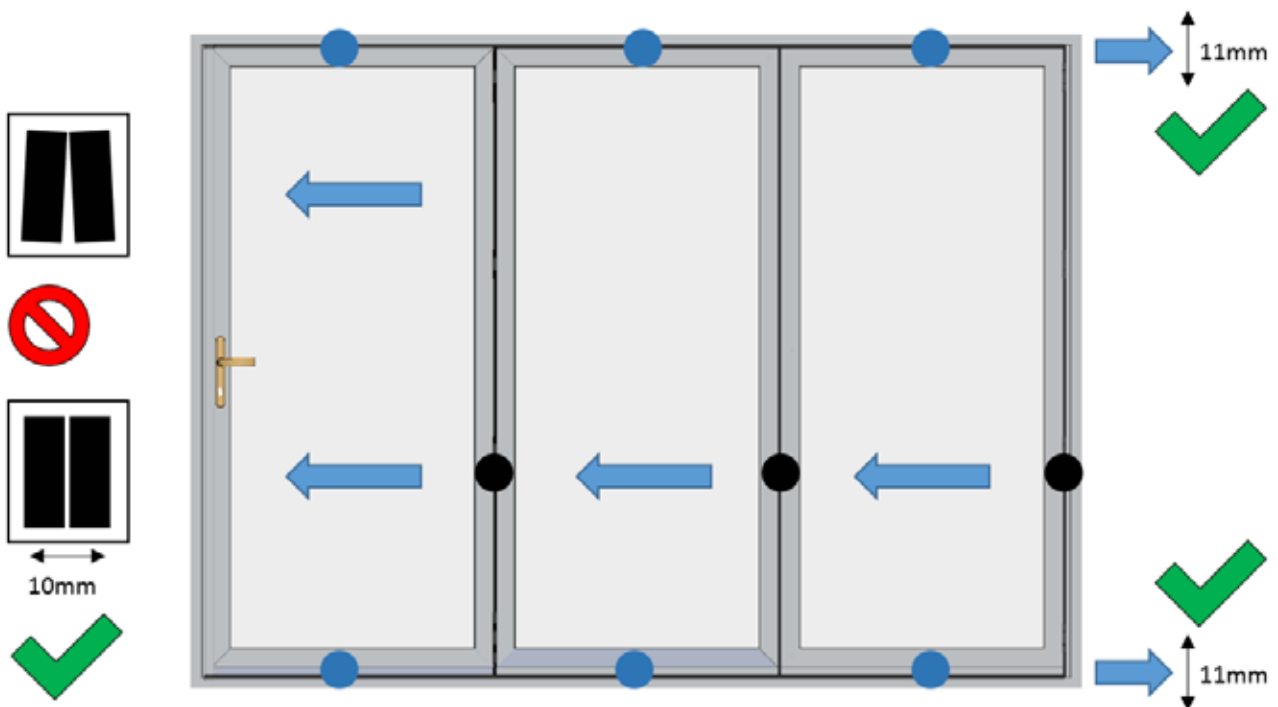
9. OPERATION CHECKING AND ADJUSTMENT

DOOR UNIT OPERATION INSPECTION



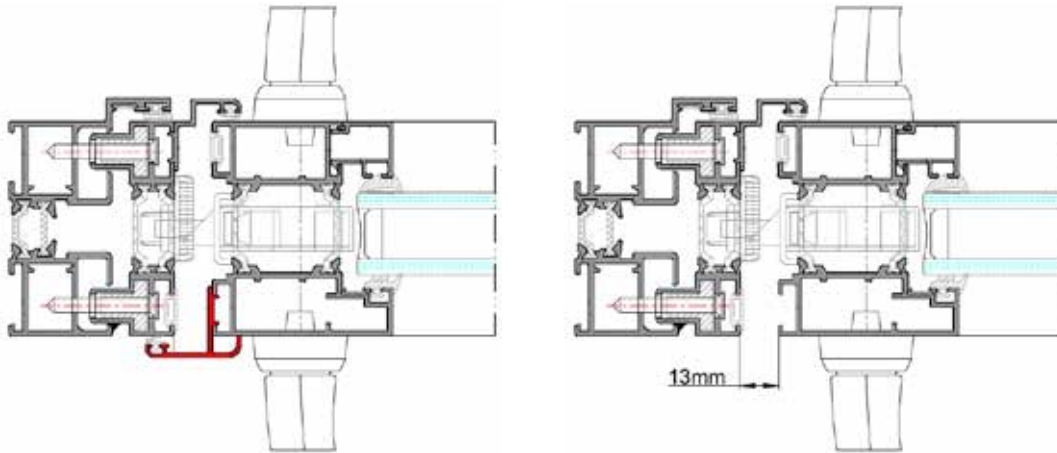
- Check the basic running operation of the doors to make sure the mechanisms are working properly.

OVERALL GAP SIZE INSPECTION



- Assess the horizontal gaps between the outer frame and sash at the top and bottom ensuring they are even and equal to 11mm.
- Assess the vertical gaps between the panel frames ensuring they are even and equal to 10mm.

MASTER DOOR ADJUSTMENT



- Remove the rebate profile attached to the master door to see the gap where the lock and the keep are.
- Check the distance between the locking door and the outer frame. The distance should be 13mm.
- If the lock and keep are clashing regulate the distance by

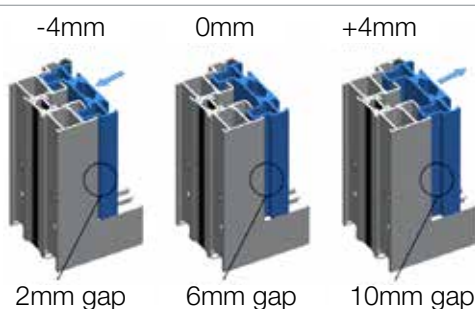
- adjusting adjustable jambs as shown below.
- Once the correct gap is achieved and the lock is locking perfectly fix the rebate profile back on the master door panel.
- Double check if the lock is latching properly.

WIDTH ADJUSTMENT USING ADJUSTABLE JAMBS



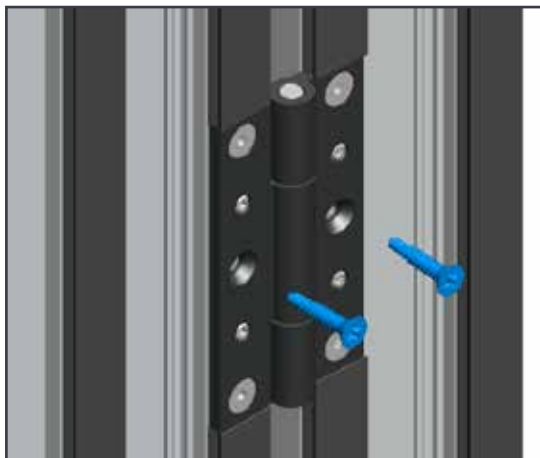
- To adjust the width release all bottom self-tapping screws that secures the adjustable jamb.
- Use grub screws to change the position of the adjustable jamb.

- Check the gaps to be equal and adjustable jamb is set square and level.
- After completing adjustment fix the adjustable jamb in position by securing self-tapping screws.



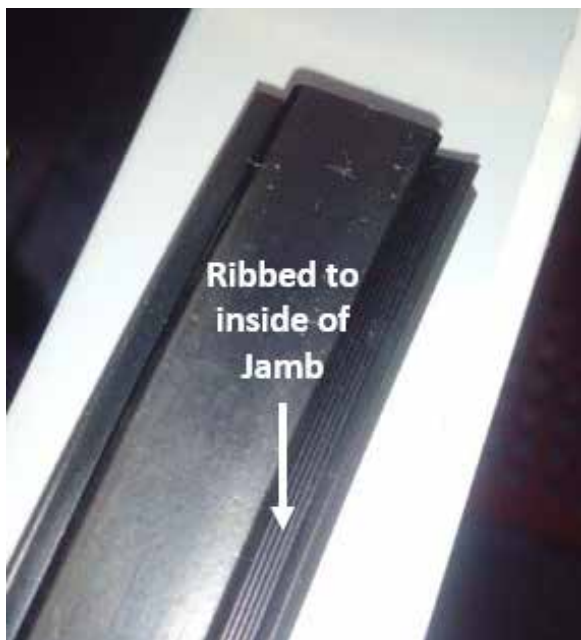
- Assess the horizontal gaps between the outer frame and sash at the top and bottom ensuring they are even and equal to 11mm.

SECURING HINGES WITH FINAL FIXING SCREWS

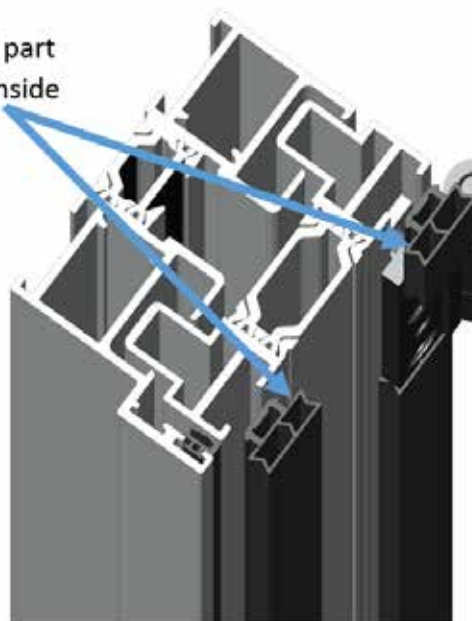


- After completing all the installation and the doors are glazed and operate properly, ensure to secure all hinges with final fixing screws as shown above.

WEATHER SEAL APPLICATION



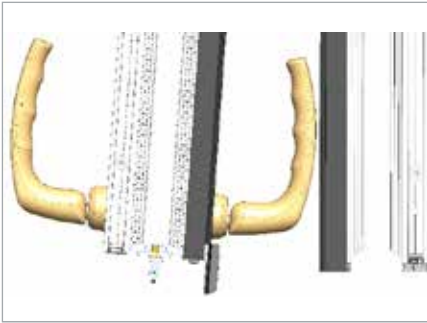
Ribbed part facing inside



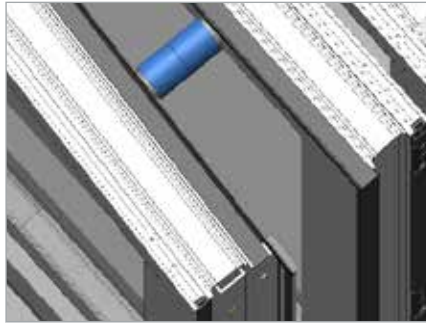
- Apply missing or any removed weather seals on all panels and jambs. Ensure that the ribbed part of the seal would always be installed facing inner part of the profile.

PANEL CATCH INSTALLATION

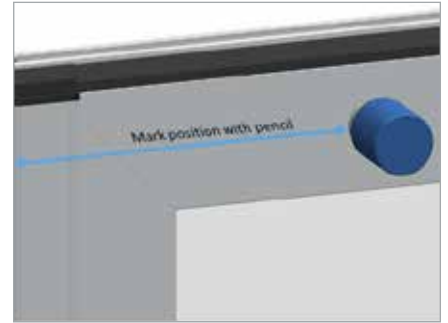
- Position the swing door at the point where it will stop.
- Ensure some clearance between the lever handle and next door.
- Use fully assembled panel catch pair to locate the position between two doors.
- Mark with pencil the position for panel catch on swinging door first.



1. Position the door



2. Locate panel catch



3. Mark position on swing door

- Unscrew panel catch back plate and fix it with choice of fixings provided in the box.
- Ensure the position for anti-rotation screw is pointed towards the hinge side.

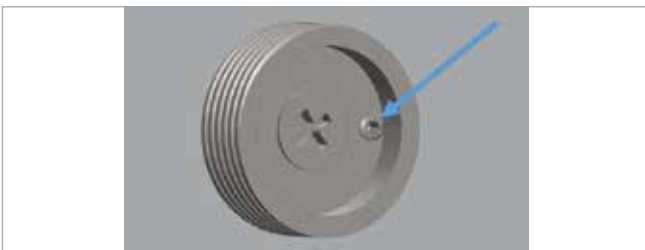
- Secure the 3mm pointed anti-rotation grub screw.
- Screw the outer sleeve.



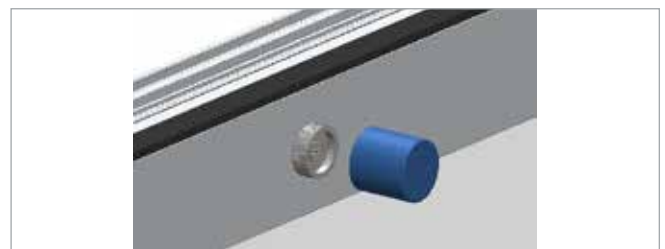
4. Fix the plate



5. Position anti-rotation point



6. Fix anti-rotation screw



7. Screw the outer sleeve

- Mark the perfect position for panel catch on the opposite panel.
- Ensure anti-rotation screw is pointed to the nearest swinging door hinge.

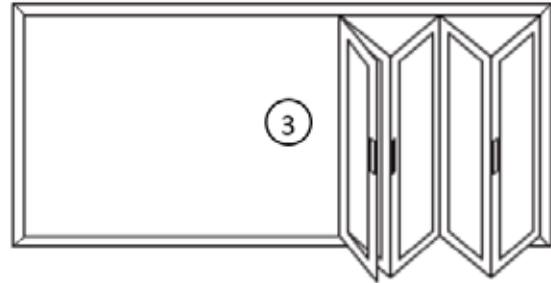
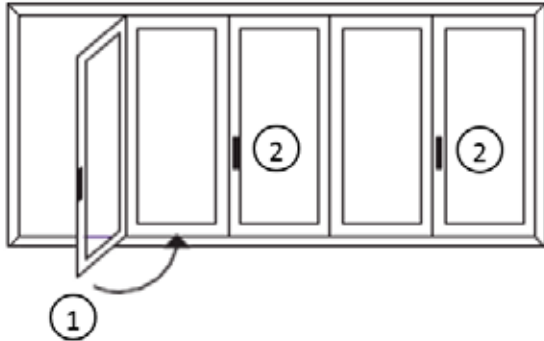
- Fix the second panel catch by repeating steps 4 - 7.

10. FINISHING TOUCHES

- ▶ Check that the handles and locking mechanisms operate smoothly on each door.
- ▶ Check the bi-fold action is smooth and free running.
- ▶ Check that the locks operate correctly when closed.
- ▶ Check the door magnets are fully engaged when the doors are open.
- ▶ Check the hinges and ensure that there are no screws missing.
- ▶ Check the weather seal and ensure that the doors are fully sealed.
- ▶ Check the perimeter and ensure that the door unit is weather tight.
- ▶ Clean the bottom track and ensure it is free of any debris.
- ▶ Ensure that the homeowner is instructed and knows exactly how to use and look after bi-fold doors.

11. OPERATION

OPENING AND CLOSING OPERATION FOR BI-FOLDING DOOR WITH SWINGING DOOR



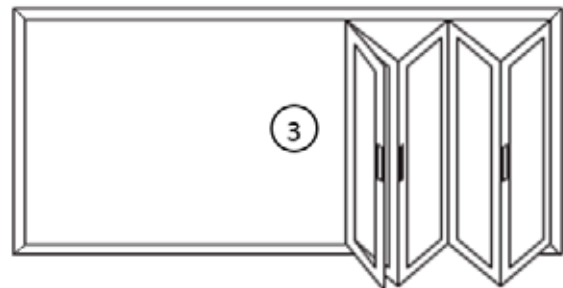
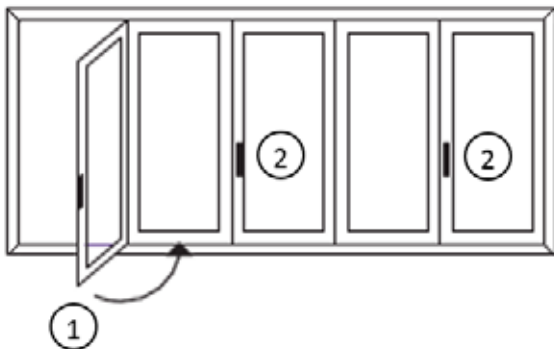
To open doors

- Open the swinging door and connect it to the panel catch located on the next door.
- Release the shoot bolt locks on all other panels.
- Slide the folding panels starting from the pair nearest to the swinging door.

To close doors

- Slide each pair of folding panels back to align with frame.
- Secure the panels by locking with shoot bolt lock.
- Close the swinging door last, ensure that all other panels have been locked in frame first.

OPENING AND CLOSING OPERATION FOR BI-FOLDING DOOR WITHOUT SWINGING DOOR



To open doors

- Release the shoot bolt locks on all other panels.
- Slide each pair of folding panels away to one side.

To close doors

- Slide each pair of folding panels back to align with frame.
- Secure the panels by locking with shoot bolt lock.

NOTE: Use the D-handle located above the intermediate handle to assist pulling doors tight when operating shoot bolt lock.

WARNING: Do not leave the key inside the cylinder of the intermediate doors during sliding/folding operation as it can break the key or damage the profile surface finish.

OPERATING MULTI POINT LOCK ON SWING DOOR

To lock the door

- Close the swing door, ensure that the door is latched properly.
- Turn the lever handle upwards to engage the lock hooks.
- Lock the door by turning the key cylinder twice.

12. MAINTENANCE

GENERAL MAINTENANCE

- Ensure top and bottom tracks are kept clean and free of any debris or foreign objects that can stop the function of the folding door.
- Ensure all door locking mechanisms are kept clean and any moving parts are regularly lubricated with light machine oil at least once a year.

CLEANING MATERIALS

The following elements CAN be used:

- Warm water (with 2% of mild soap)
- Sponge
- Cleaning cloth
- Absorbent paper
- Steam cleaners
- Vacuum

WARNING. The following elements such as sharp tools (knives, trowels, etc.), steel wool or abrasive sponges, aggressive bath cleaners or solutions for lacquer must NOT be used, as they will cause permanent damage to surface area of the unit.

CLEANING OF CONCEALED AREAS

Use a vacuum cleaner to clean the gaskets and chambers between the sashes and frames to remove dust and other foreign matter. Ensure running track, channels and draining holes are clear of debris. A soft brush can be also used for cleaning.

It is recommended to repeat this operation frequently as required.

CLEANING OF FRAMES AND GLASS

Mix 2% soap solution to warm water to clean the frame and glass. With a soft sponge wash the frames and glass to both inner and outer sides. Afterwards, using a cleaning cloth remove the remaining water drops and soap stains. Finally, with a dry cloth complete the cleaning and dry the frame.

Steam cleaner can also be used instead of soap solution.

It is recommended to repeat this operation monthly for each window section.

MAINTENANCE RECOMMENDATIONS

Annually

- Lubricate the stainless steel track, bottom wheel sets and all hinges with silicone based spray lubricant directly applying onto the moving parts.
- Check for loose or missing screws and re-tighten or replace as needed.

KEY OBSERVATIONS

The maintenance for doors should be increased:

- In areas close to highways, coastline or industrial areas.
- In business premises with a higher volume of operation per annum. When the doors have not been operated for extended periods of time.

NOTE: Marine, aggressive or chlorine environments carry additional cleaning and maintenance demands, which should be handled on a project basis, and according to the manufacturers requirements. If in doubt please contact your supplier or Eurocell plc for further clarification.

HOMEOWNER INSTRUCTIONS FOR BI-FOLD DOOR USAGE

GUIDANCE FOR OPERATING YOUR DOORS

- Ensure the doors are always opened and closed in the correct sequence as per the instructions on Page 23.
- If there is an internal key operated cylinder fitted on the intermediate doors, the key must NOT be left in situ as it will break the key and mark the profile.
- To ensure correct operation of the multi-point latch lock, make certain that the handle is lifted upwards to engage the hook bolts before locking the cylinder.

GENERAL MAINTENANCE ADVICE

- Ensure all tracks, running channels and draining holes are kept clear of debris.
- Regularly wash the profiles and gaskets with warm soapy water.
- For coastal locations this should be done on a more regular basis.

ANNUAL MAINTENANCE

- Clean the stainless steel track and rollers with a dry clean cloth.
- Apply lubrication oil to all hinges and rollers.
- Additional regular maintenance may be required in the following situations;
 - Doors fitted on business premises that have a higher volume of operation per annum.
 - If the doors have not been operated for an extended period of time.
 - When doors are in extreme weather locations, for example coastal environments.

CONTACT

For further information, contact the Eurocell Technical Team on **0333 777 3047**. Visit **eurocell.co.uk** to find installation guides and videos for Eurocell products.

