

dales collection

INSTALLATION GUIDE

Issue 2



CONTENTS

1. Survey information	2
– Door measurements	
– Fan light and side light options	
– Min / max sizes	
2. Pre Installation	6
3. Installation	10
4. Post Installation	15
5. Care and maintenance	16
6. Guarantee	17

If in doubt at any stage

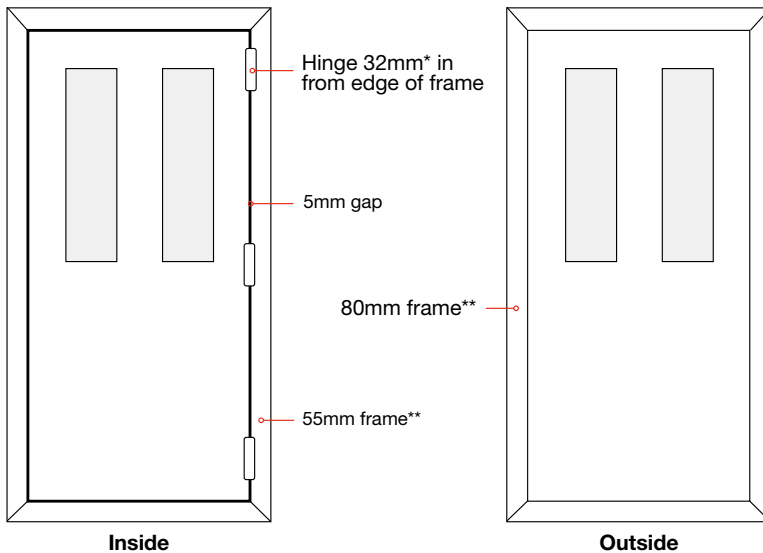
Please contact our Customer Care Team for additional technical support or advice. Note: an installation video is also available on the Eurocell YouTube page.

**0333 321 2353**

SURVEY INFORMATION



Door measurements Example shows EWS031 standard outerframe



* When using EWS032, intermediate hinges are set 17mm in from the edge of the outer frame

** When using EWS032, sizes are 15mm smaller on both internal and external faces

Interior door leaf

Leaf width = overall door width less 120mm

Exterior door leaf

Opening width = overall door width less 180mm

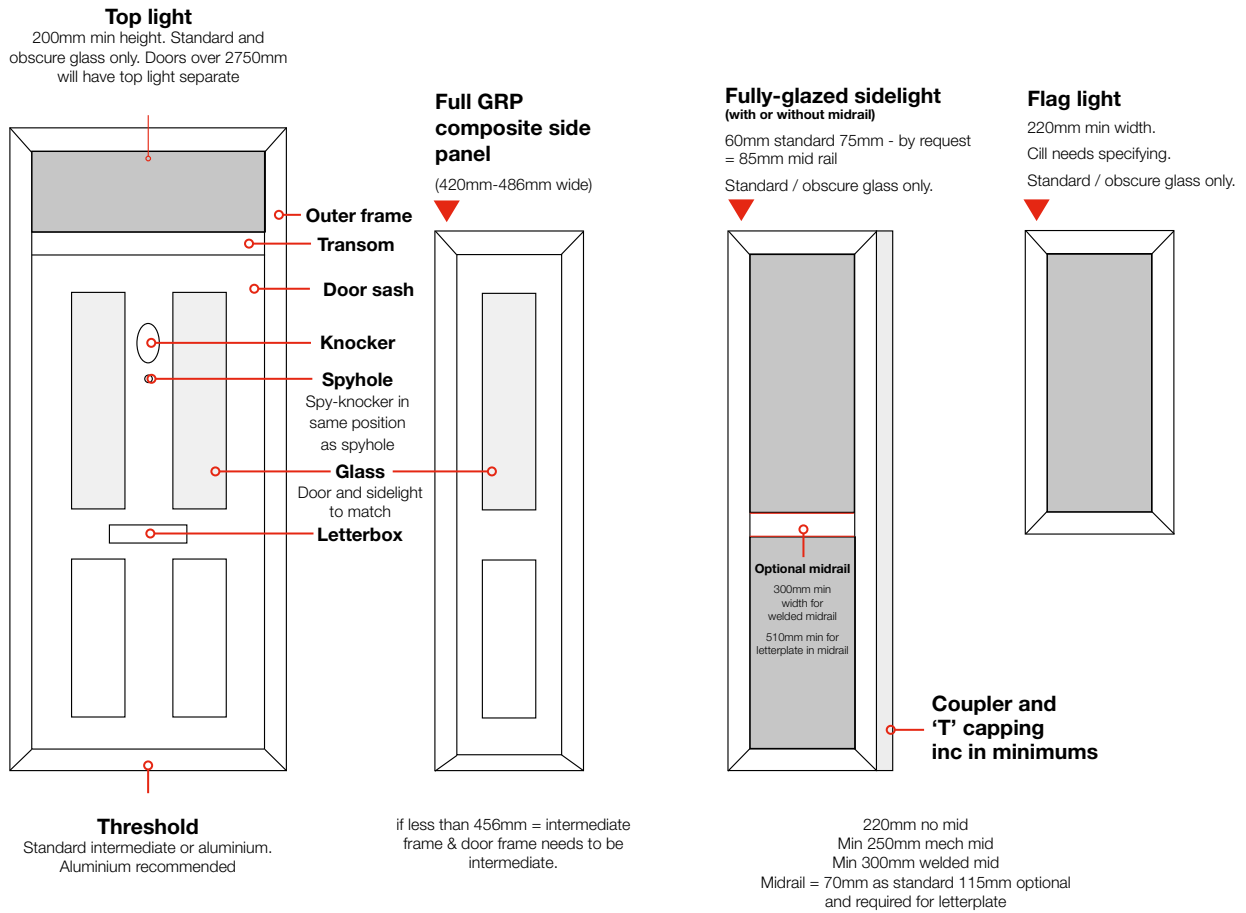
When open at 90°, the door edge protrudes 20mm into the opening

Handing viewed from outside cills at width unless horns/length specified in special instructions



Fan light and side light options

(Available glazed and unglazed)



MIN & MAX DOOR SIZES

CHART A	STANDARD LOCK DOORS								CYLINDER PULL LOCK DOORS								
	THE BIRCHOVER, THE BRASSINGTON, THE BRETTON, THE CHELMORTON, THE LITTON, THE MIDDLETON, THE THORPE (GLAZED/SOLID), THE WIRKSWORTH								THE BIRCHOVER, THE BRETTON, THE LITTON, THE MIDDLETON (GLAZED/SOLID)								
	Slim Frame				Standard Frame				Slim Frame				Standard Frame				
	Width		Height		Width		Height		Width		Height		Width		Height		
	Min	Max	Min	Max	Min	Max	Min	Max	Min	Max	Min	Max	Min	Max	Min	Max	
Aluminium Threshold	Part M	800	1003	1930	2078	830	1012	1945	2093	810	1003	1930	2078	840	1012	1945	2093
	Low	800	1003	1930	2078	830	1020	1945	2093	810	1003	1930	2078	840	1020	1945	2093
	Open out	800	1003	1925	2076	830	1012	1940	2088	810	1003	1925	2076	840	1012	1940	2088
PVC-U Threshold	Low	800	1003	1955	2103	830	1033	1955	2118	810	1003	1955	2103	840	1033	1955	2118
	Standard	800	1003	1970	2118	830	1033	1970	2133	810	1003	1970	2118	840	1033	1970	2133

CHART B	STANDARD LOCK DOORS								CYLINDER PULL LOCK DOORS								
	THE BRADBOURNE, THE CHATSWORTH, , THE CROMFORD, THE HATHERSAGE, THE NEWHAVEN (GLASS CENTRE/SOLID), THE WINSTER								THE BRASSINGTON, THE NEWHAVEN (GLASS CENTRE/SOLID), THE THORPE (GLAZED/SOLID)								
	Slim Frame				Standard Frame				Slim Frame				Standard Frame				
	Width		Height		Width		Height		Width		Height		Width		Height		
	Min	Max	Min	Max	Min	Max	Min	Max	Min	Max	Min	Max	Min	Max	Min	Max	
Aluminium Threshold	Part M	835	1003	1930	2078	865	1012	1945	2093	840	1003	1930	2078	870	1012	1945	2093
	Low	835	1003	1930	2078	865	1020	1945	2093	840	1003	1930	2078	870	1020	1945	2093
	Open out	835	1003	1925	2076	865	1012	1940	2088	840	1003	1925	2076	870	1012	1940	2088
PVC-U Threshold	Low	835	1003	1955	2103	865	1033	1955	2118	840	1003	1955	2103	870	1033	1955	2118
	Standard	835	1003	1970	2118	865	1033	1970	2133	840	1003	1970	2118	870	1033	1970	2133

CHART C	STANDARD LOCK DOORS								CYLINDER PULL LOCK DOORS								
	THE ELTON, THE HARTINGTON (GLAZED/SOLID)								THE BRADBOURNE, THE CHELMORTON, THE CHATSWORTH, THE CROMFORD, THE ELTON, THE HARTNGTON (GLAZED/SOLID), THE HATHERSAGE, THE WINSTER, THE WIRKSWORTH								
	Slim Frame				Standard Frame				Slim Frame				Standard Frame				
	Width		Height		Width		Height		Width		Height		Width		Height		
	Min	Max	Min	Max	Min	Max	Min	Max	Min	Max	Min	Max	Min	Max	Min	Max	
Aluminium Threshold	Part M	853	1003	1930	2078	883	1012	1945	2093	875	1003	1930	2078	905	1012	1945	2093
	Low	853	1003	1930	2078	883	1020	1945	2093	875	1003	1930	2078	905	1020	1945	2093
	Open out	853	1003	1925	2076	883	1012	1940	2088	875	1003	1925	2076	905	1012	1940	2088
PVC-U Threshold	Low	853	1003	1955	2103	883	1033	1955	2118	875	1003	1955	2103	905	1033	1955	2118
	Standard	853	1003	1970	2118	883	1033	1970	2133	875	1003	1970	2118	905	1033	1970	2133

CHART D		STANDARD LOCK DOORS								CYLINDER PULL LOCK DOORS							
		THE NEWHAVEN (GLASS LEFT/RIGHT)								THE NEWHAVEN (GLASS LEFT/RIGHT)							
		Slim Frame				Standard Frame				Slim Frame				Standard Frame			
		Width		Height		Width		Height		Width		Height		Width		Height	
		Min	Max	Min	Max	Min	Max	Min	Max	Min	Max	Min	Max	Min	Max	Min	Max
Aluminium Threshold	Part M	855	1003	1930	2078	885	1012	1945	2093	890	1003	1930	2078	920	1012	1945	2093
	Low	855	1003	1930	2078	885	1020	1945	2093	890	1003	1930	2078	920	1020	1945	2093
	Open out	855	1003	1925	2076	885	1012	1940	2088	890	1003	1925	2076	920	1012	1940	2088
PVC-U Threshold	Low	855	1003	1955	2103	885	1033	1955	2118	890	1003	1955	2103	920	1033	1955	2118
	Standard	855	1003	1970	2118	885	1033	1970	2133	890	1003	1970	2118	920	1033	1970	2133

SIDE PANELS									
		THE BRADBOURNE, THE CHATSWORTH, THE NEWHAVEN							
		Slim Frame				Standard Frame			
		Width		Height		Width		Height	
		Min	Max	Min	Max	Min	Max	Min	Max
Dimensions		420	456	1936	2119	450	486	1966	2149

INCLUDING ALUMINIUM COUPLER (10MM)

PRE-INSTALLATION CHECKLIST



PRE-INSTALLATION CHECK



Please see to the right for required check list

Prior to removing the existing door the size, type and condition of all doorsets should be checked against both original order size and the actual aperture.

Care should be taken to examine the Door leaf and frame for damage prior to installation as no responsibility can be accepted once the door has been installed.

The door-set specification including hardware, glazing and door style should be checked against the order acknowledgement. Before discarding any packaging, check for any components and check that all ancillary

components are accounted for. Loose components are handles, hinge caps, cill end caps, Thumbturn cylinder, numerals door knobs etc.

Side/Top/Wing lights/Combination top light frames

These are supplied temporary glazed and it is expected that they are deglazed, fixings installed and reglazed.

Correct coupling of frames using the aluminium structural coupler is essential and is shown in detail at the bottom of page 9, quick grip clamps should be used to keep frames tight together while inserting bay post fixings.

PRE-INSTALLATION CHECKLIST

- | | | | |
|--------------------------|--|--------------------------|---|
| <input type="checkbox"/> | Door set is as ordered | <input type="checkbox"/> | Handles as specified in ancillary pack |
| <input type="checkbox"/> | Door set will fit opening allowing for levelling | <input type="checkbox"/> | Keys screwed to frame for Key/key |
| <input type="checkbox"/> | No visible damage to slab or frame | <input type="checkbox"/> | Hinge caps in ancillary pack |
| <input type="checkbox"/> | No cracks to welds | <input type="checkbox"/> | Thumbturn cylinder (if requested) in ancillary pack |
| <input type="checkbox"/> | Glass type as specified | <input type="checkbox"/> | Cill end caps (if applicable) in ancillary pack |
| <input type="checkbox"/> | No cracks , scratches to glass | <input type="checkbox"/> | Pull Knob (if requested) in ancillary pack |
| <input type="checkbox"/> | Loose cill is correct length and colour | <input type="checkbox"/> | Numerals (if requested) in ancillary pack |

PRE-INSTALLATION



1.1

Please take the following into account before starting the installation

Doorsets should be installed using the air gaps between the door leaf and frame as a guide, there should be an equal 4-5mm across the head and down both sides Cleats/straps and Fisher type screw/plug fixings are not suitable, self-drilling type fixings (Rapier) should be used and the frame should be pilot drilled prior to drilling brickwork

Minimum fixing lengths

Large outer 80mm Frame = 120mm

Intermediate outer 65mm Frame = 100mm

The fixing length should be increased if gaps between frame and brickwork are more than 5-10mm

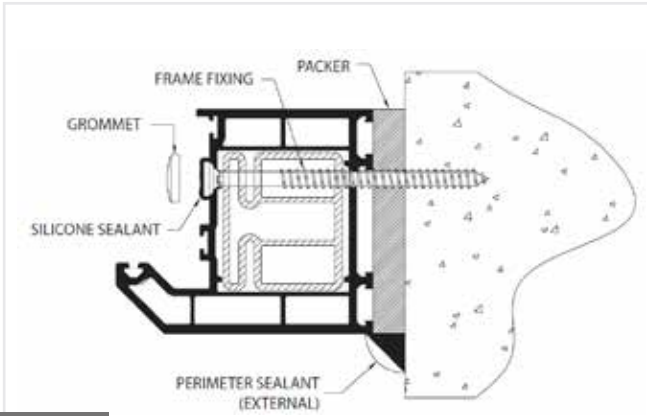
IMPORTANT INFO



The frame should never be pushed tight back to the plaster line as this can lead to the door being fitted in twist, always allow 10mm clearance for in/out frame adjustment.

Care should be taken when propping the door leaf to achieve the first fixing, timber should be used to avoid chipping of the bottom edge.

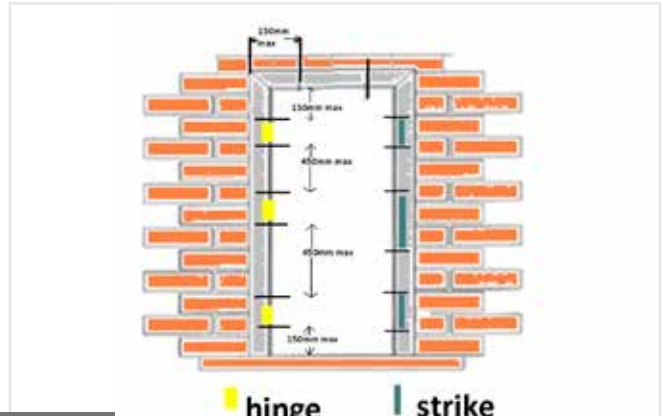
All measurements are a guide only and care should be taken to avoid mortar joints as all fixings need to be secure. Expanding foam is not a substitute as it will not support the weight of a door leaf.



1.2

Fixing Positions Recommended-

Generally, all three sides of the frame shall be secured, however it is understood that dependant on the lintel used at the head, fixing at this point is not always possible. There should be minimum of 6no fixing points to each jamb, with each fixing point being above and below a hinge or keep position. Corner fixings should be maximum 150mm away from the external corner. Intermediate fixings should be at centres no greater than 450mm.

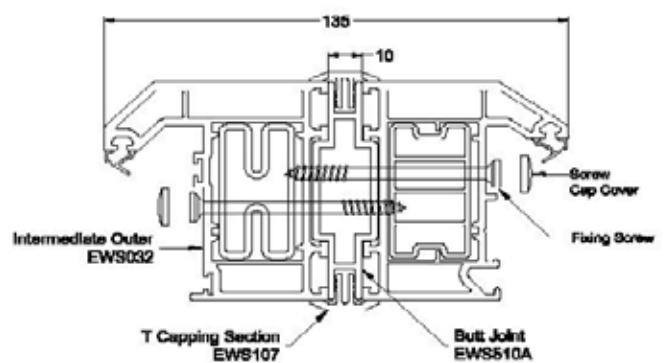
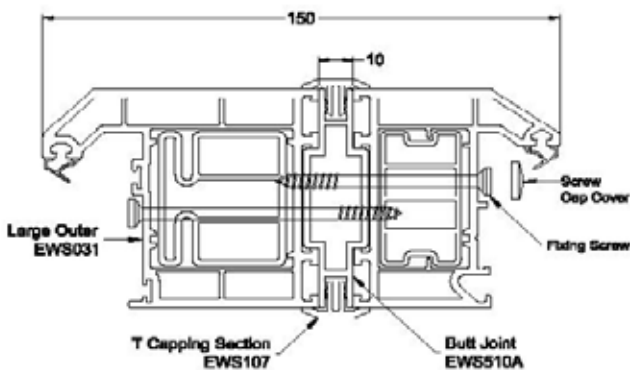


1.3

Fixing Positions Recommended-

Fixing position detail Side/Top/ Wing lights/ GRP side panels (if supplied)

These should be checked for size and damage prior to installation as no responsibility can be accepted once installed. A 10mm aluminium coupler is supplied, either EWS 510A (as drawing) or AE10) and this should be fixed as below. If you supply your own a suitable structural aluminium coupler must be installed, failure to do so will invalidate the warranty. In all instances fixings used should be bay post fixings to suit profile depth, quick grip clamps should be used at each fixing point to ensure frames do not distort.



Note: Screws to be fixed 100mm from each corner and a maximum of 300mm centers.

INSTALLATION

DOOR AND FRAME



2.1

The cill/aluminium threshold should be bedded onto the brickwork/stone cill using silicone ensuring it does not block the drain holes in the threshold.

Install the hinge side of the frame plumb and level using a 6ft level/straight edge ensuring that the frame is packed (if required) to allow the head to be fitted level. Ensuring the hinges are centre, make sure you have a 4-5mm equal air gap between door leaf and frame from top to bottom.



2.2

The air gap from the top hinge to the top of the door leaf must be equal, if it is not it must be corrected before continuing with the installation.

The use of a level/straight edge is now no longer required



2.3

Close the door and pack the cill/ frame (if required) until you have an equal air gap across the head of the door (4-5 mm).

2.4

Install two fixings 100mm above and below the centre keep on the lock side ensuring that the frame is square in the aperture i.e. it is not twisting the hinge side and ensuring there is a 4-5 mm equal air gap between the door leaf and frame.



2.5

Close the door and check that the door leaf is touching the gasket from the centre keep to the top of the door and then mark the brickwork. Open the door and install the top fixing just above the top keep, using the mark as a guide, again ensuring there is a 4-5 mm air gap Repeat the above for the bottom fixing but 50mm below the keep. Once the operation of the door and the air gaps have been checked the remaining fixings can be installed.



2.6

Expanding foam should now be applied between the frame and brickwork ensuring only enough is used to avoid distorting the frame when it expands. Once the foam has dried it can be cut away and perimeter sealing can be carried out. Ensure the frame is free from dust and debris before applying silicone. Do not seal across the front of the aluminium threshold as the drain holes are concealed behind the front ramp.

INSTALLATION

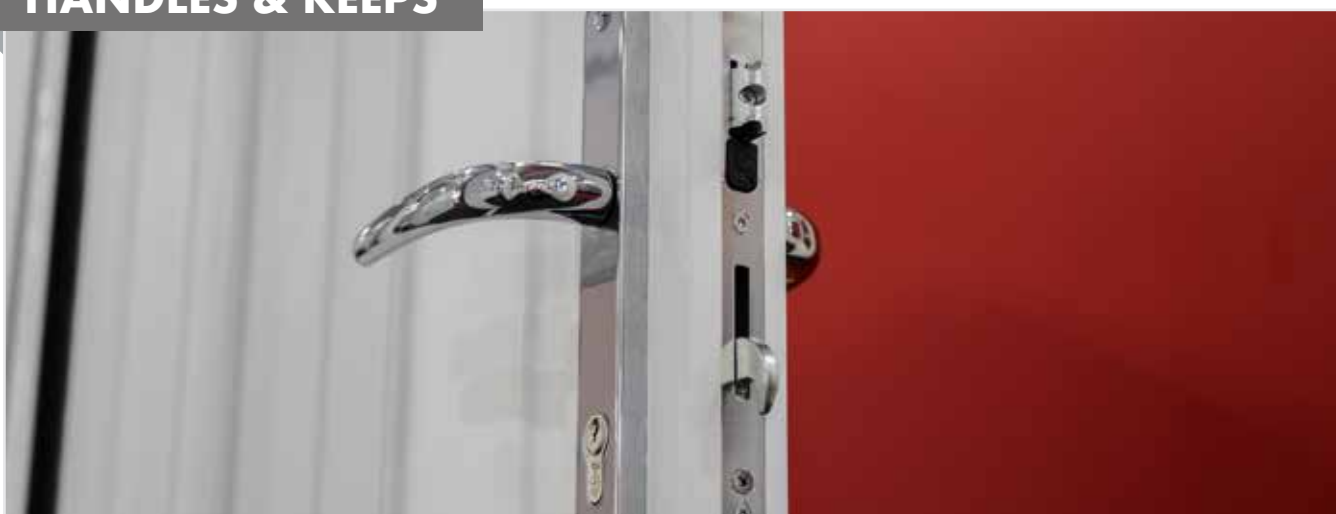
HARDWARE

EXPOSED LOCATION

Perimeter sealing is required if door is installed in very exposed locations, we recommend a tight bead of clear sealant and it is required from glass to cassettes, slab to cassettes, letterplate and top of rain deflector.



HANDLES & KEEPS



Important information

Lever type handles and keeps should only ever be fitted/adjusted using hand held screwdrivers, **Cordless/Torque drivers must not be used.**

NUMERALS



If Numerals have been supplied the screw holes should be marked and pilot drilled using a 2mm drill bit.

If installing your own numerals/fixings they should be high quality exterior grade. Steel plated numerals and fixings will rust and damage the surface of the door.

ESCUTCHEONS



These should be fitted using the screws provided and pilot drilled using a 2mm drill bit. Never drill more than 10mm into the door leaf as damage to the lock can occur if you drill deeper.

DOOR KNOBS



Single fitted lock side can be screwed to door using plate supplied pilot drilling with a 1.5mm bit. Bolt will need to be cut to attach to handle/plate.

Single/double centre fixed must be bolted through the door. 8mm drill bit required and bolt will need to be liquid nailed into knob/nut, **do not over tighten** as this will compress the foam core and indent the skin.

ADJUSTMENTS

Failure to adjust the keeps correctly after installation can allow thermal movement in the door leaf on warm days and may cause locking issues.

The latch plate on the centre keep should now be adjusted so that the door closes on the latch without using excessive force, the sash should compress the gasket slightly, not clamp it.



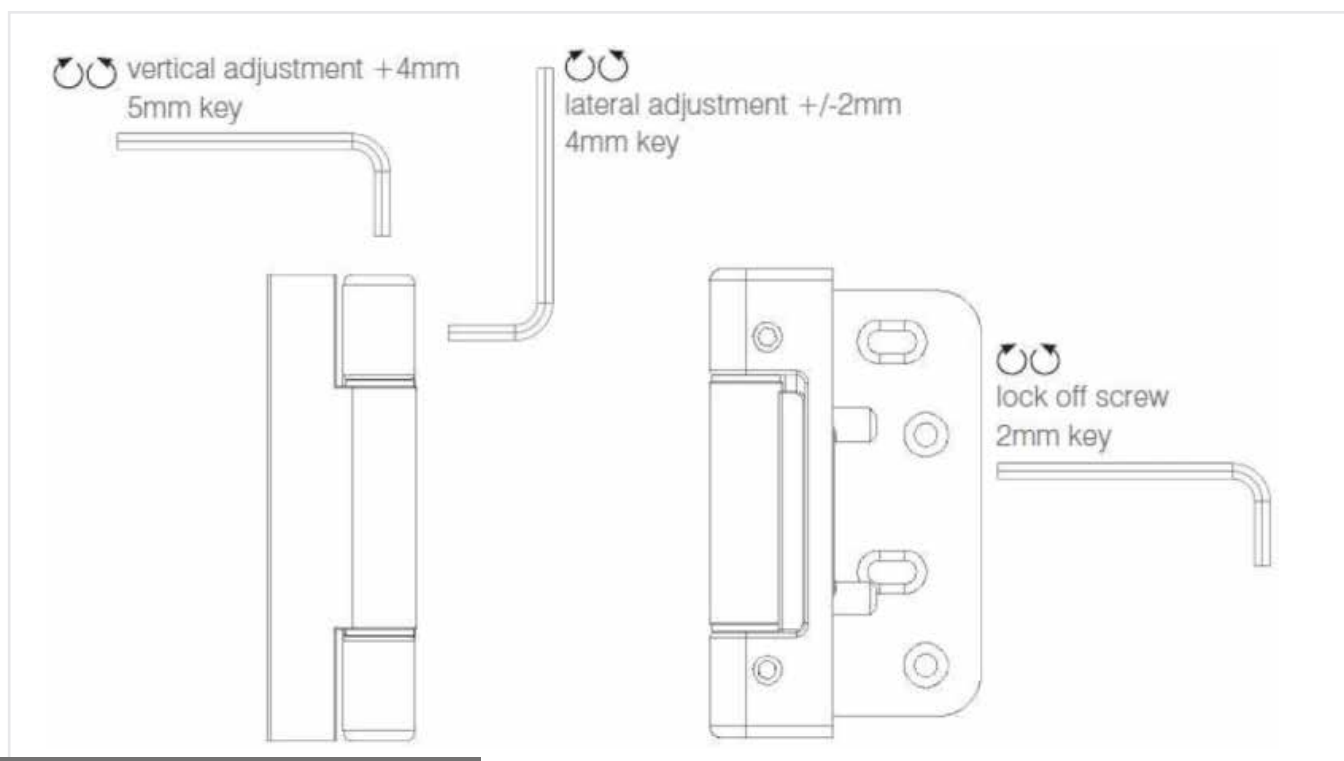
Loosen the adjuster plate by turning the screws anti clockwise one/two turns maximum. Move the latch plate in 1 to 2mm and re tighten screws, close the door using one finger against the door leaf, it should latch easily without any 'rattle'. If it will not close, back the plate off slightly, if it 'rattles' move plate further in and carry out check again.



The top and bottom keeps can now be adjusted in the same way but the hooks should hit the plates so that they just pull the sash into the gasket slightly.

INSTALLATION

HARDWARE



HINGES

To raise the door leaf in the frame the bottom allen bolts should be loosened off 3 to 4 turns (anti-clockwise).

The top bolts then need to be wound clockwise to raise the door leaf in the frame, the bottom bolts can then be re-tightened. Once all adjustments have been made ensure the three pins are fully located and tighten the 2mm grub screw in each hinge. These are located in the rebate so the door needs to be open at 90 degrees.

POST-INSTALLATION CHECKLIST (FOR HOMEOWNER)

POST INSTALLATION CHECKLIST

- | | | | |
|--------------------------|--|--------------------------|--|
| <input type="checkbox"/> | Door set installed plumb, square and vertical | <input type="checkbox"/> | Trims are installed correctly |
| <input type="checkbox"/> | Air gaps between slab and frame are 5mm | <input type="checkbox"/> | Sealant joints have smooth finish/ correct shape |
| <input type="checkbox"/> | No air gaps between door leaf and frame seal | <input type="checkbox"/> | No excess sealant on frame/ brickwork |
| <input type="checkbox"/> | No scraping/rubbing between hooks and keeps | <input type="checkbox"/> | Threshold/Sidelight drainage free from debris |
| <input type="checkbox"/> | Door locks and unlocks satisfactorily | <input type="checkbox"/> | Cill end caps in place and secure |
| <input type="checkbox"/> | Hinge pin locking screws have been tightened (with the door open they are in the rebate) | <input type="checkbox"/> | All Debris cleared away |
| <input type="checkbox"/> | Hinge caps have been fitted | <input type="checkbox"/> | This sheet has been left with the homeowner |
| <input type="checkbox"/> | Exposed faces free from damage | | |

PRECAUTIONS

Your new door will need very little maintenance. The amount of cleaning and servicing required will be dependent on the location of the door, if it is on a main road, in a coastal area or in an industrialised area it will need more maintenance than a door that is installed in the countryside

- ▶ **DO NOT** use chemical cleaners
- ▶ **DO NOT** use bleach or solvent
- ▶ **DO NOT** use abrasive cleaners or scouring pads
- ▶ **DO NOT** use pressure washers or steam cleaners
- ▶ **DO NOT** apply any adhesives of any type of tack (Blu Tack is an adhesive)
- ▶ **DO NOT** allow to come into contact with sharp objects
- ▶ **DO NOT** hang ornaments on the door as they will scratch the surface in windy conditions
- ▶ **DO NOT** when opening the door care should be taken to avoid damaging the surface finish. Large bunches of keys, shopping bags etc. can scratch the surface and would not be covered under warranty.

When opening the door care should be taken to avoid damaging the surface finish. Large bunches of keys, shopping bags etc. can scratch the surface and would not be covered under warranty.

CARE & MAINTENANCE

CLEANING

Door leaf (Part that opens) and furniture

This will need occasional cleaning and should only be done with warm soapy water (washing up liquid is suitable) and a soft lint free cloth. Once clean the furniture should be dried with a soft cloth.

Stainless steel hardware does require cleaning or the dust/dirt in the air will stick to the surface and if left can give the effect of pitting/rusting (known as Tea Staining).

Frame

The frame should also be cleaned with warm soapy water but any stubborn, greasy stains can be removed using Cif or equivalent. If the frame as a painted finish Cif is not advised.

Glass

Clean with warm soapy water but care should be taken that the cloth used does not snag any lead design

Gasket

The gasket has a silicone lubricant applied and should need no maintenance other than a wipe with warm soapy water when cleaning the rest of the door.

Threshold

The threshold should be kept clear of debris and should be cleaned with warm soapy water when cleaning the rest of the door. The channel between the two gaskets should be vacuumed occasionally to ensure the drain holes remain clear. The threshold should be stepped over when entering and leaving the building to avoid damaging the gaskets.

Hinges

The hinges are maintenance free however when

maintaining the lock, the top caps can be removed and a small amount of silicone spray can be applied to the pins.

Locking Mechanism and Cylinder

The lock and cylinder will require occasional maintenance. Every 6 months is recommended but may be more often dependant on the area you live in.

With the door open lift the handle so the hooks are on show, check for dust and debris and clean if necessary. The hooks, latch and keeps in the door frame should then be lubricated using a lithium spray grease or silicone spray. Manipulate the handle several times and then lubricate again. **Do not use WD40® or other oils.**

The cylinder is supplied with 3 keys, should you require additional keys to be cut, a certified locksmith should be used as they will use genuine manufacturer's blanks. Other key cutting companies can use copy blanks and these can be of poor quality and cause the cylinder to fail. The cylinder should be lubricated every 6 months. Lubricate with lock graphite or graphite pencil. Apply this lubricant to the key only and work the key in and out of cylinder a few times. Never apply lubricant directly into the cylinder as this may cause the internal pins to stick. **Do not use WD40® or other oils.**

Keeps

After a period of time the gasket on your door will compress and keep adjustment may be necessary. This can be done by loosening the screws top and bottom with a hand held screwdriver, moving the plate in 1-2mm and re-tightening.



CONTACT

For further information, contact the Eurocell Technical Team on **0333 321 2353**. Visit **eurocell.co.uk** to find installation guides and videos for Eurocell products.

